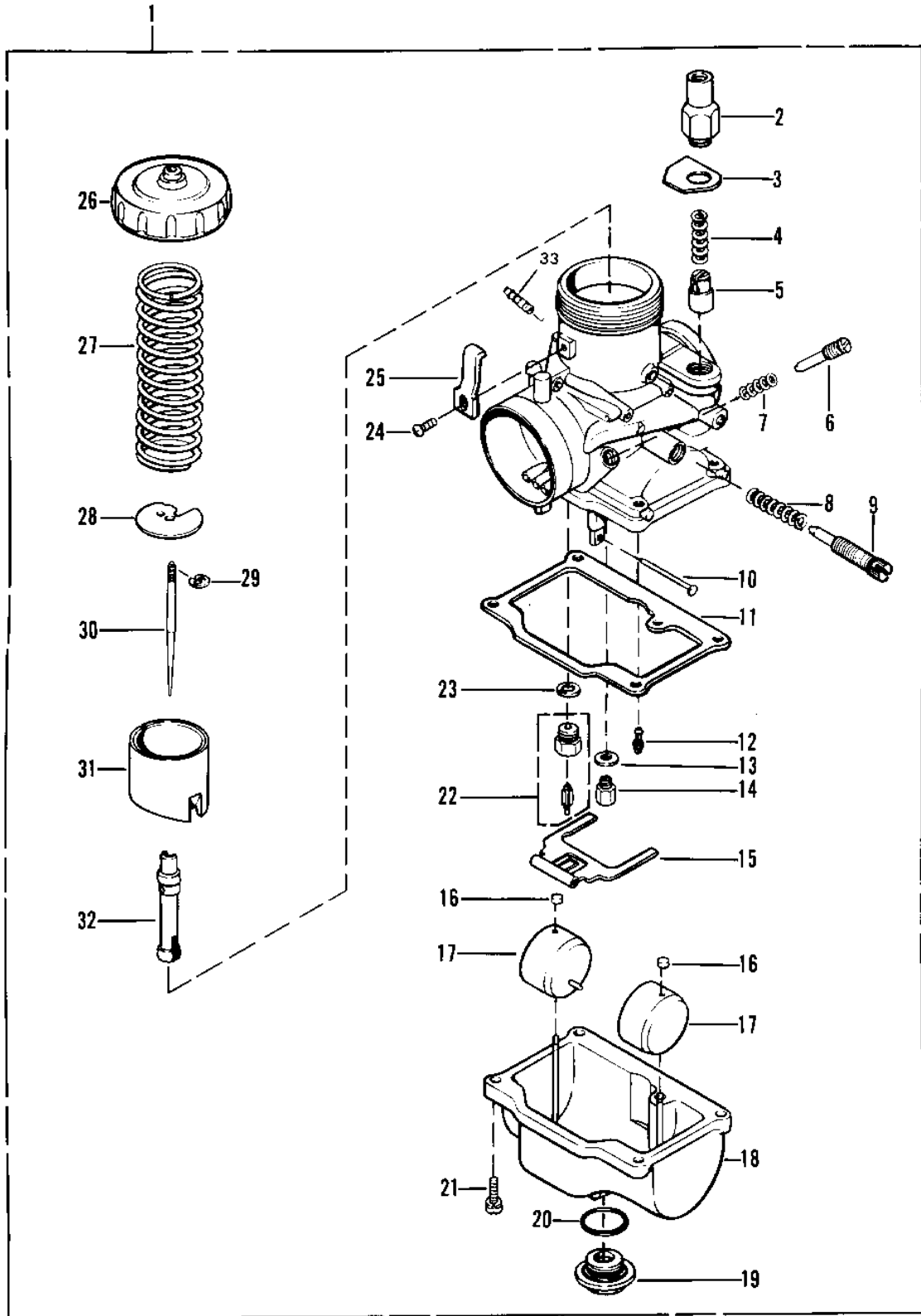


1978 Drifter 340 PARTS DIAGRAM

CARBURETOR



Re
No

1

2

3

4

5

6

7

8

9

10

11

12

13

14

15

16

17

18

19

20

21

22

23

24

25

1978 Drifter 340 PARTS LIST

CARBURETOR

ITEM NAME	PART NUMBER	QUANTITY
CARBURETOR-34MM (Ref # 1)	16001-3511	1
.SCREW-PILOT (Ref # 6)	791062	1
.SPRING-PILOT (Ref # 7)	791063	1
.SPRING THR STOP SCREW (Ref # 8)	16022-005	1
.SCREW-THROTTLE-ADJ (Ref # 9)	16021-1005	1
.PIN,FLOAT (Ref # 10)	16032-008	1
.GASKET-FLOAT CHAMBER (Ref # 11)	11009-3508	1
.JET-PILOT NO 20 (Ref # 12)	92064-021	1
JET-PILOT NO 25 (Ref # 12)	92064-032	1
PILOT JET,#A15 (Ref # 12)	92064-1018	1
.WASHER MAIN JET (Ref # 13)	16034-001	1
.JET-MAIN NO 260A (Ref # 14)	92063-028	1
.JET-MAIN NO 270A (Ref # 14)	92063-029	1
JET-MAIN NO 200A (Ref # 14)	92063-022	1
JET-MAIN NO 210A (Ref # 14)	92063-023	1
JET-MAIN NO 220A (Ref # 14)	92063-024	1
JET-MAIN NO 230A (Ref # 14)	92063-025	1
JET-MAIN NO 240A (Ref # 14)	92063-026	1
JET-MAIN NO 250A (Ref # 14)	92063-027	1
JET-MAIN NO 280A (Ref # 14)	92063-030	1
JET-MAIN NO 290A (Ref # 14)	92063-031	1
JET-MAIN NO 300A (Ref # 14)	92063-045	1
.ARM-FLOAT (Ref # 15)	16055-3501	1
.RETAINER-FLOAT (Ref # 16)	14020-3508	1
.FLOAT (Ref # 17)	16031-3501	1
.CHAMBER-FLOAT (Ref # 18)	791445	1
.COVER,MAIN JET (Ref # 19)	16049-006	1
.GASKET-COVER (Ref # 20)	16038-009	1
.SCREW FLOAT CHAMBER (Ref # 21)	16033-009	1

1978 Drifter 340 PARTS LIST

CARBURETOR

ITEM NAME	PART NUMBER	QUANTITY
.VALVE-FLOAT (Ref # 22)	16030-3502	1
.WASHER (Ref # 23)	791374	1
.SCREW (Ref # 24)	92009-3523	1
.RETAINER-CAP (Ref # 25)	14020-3510	1
.CAP-MIXING CHAMBER (Ref # 26)	16004-023	1
.SPRING-CARB (Ref # 27)	92081-3556	1
.PLATE-PISTON VALVE (Ref # 28)	791046	1
.CLIP (Ref # 29)	791039	1
.NEEDLE-CARB-6DH3 (Ref # 30)	16009-3505	1
.VALVE-THROTTLE-CA3.0 (Ref # 31)	16025-3510	1
.JET-NEEDLE-166 Q6 (Ref # 32)	16017-3512	1
.FITTING-CARB (Ref # 33)	92005-3509	1