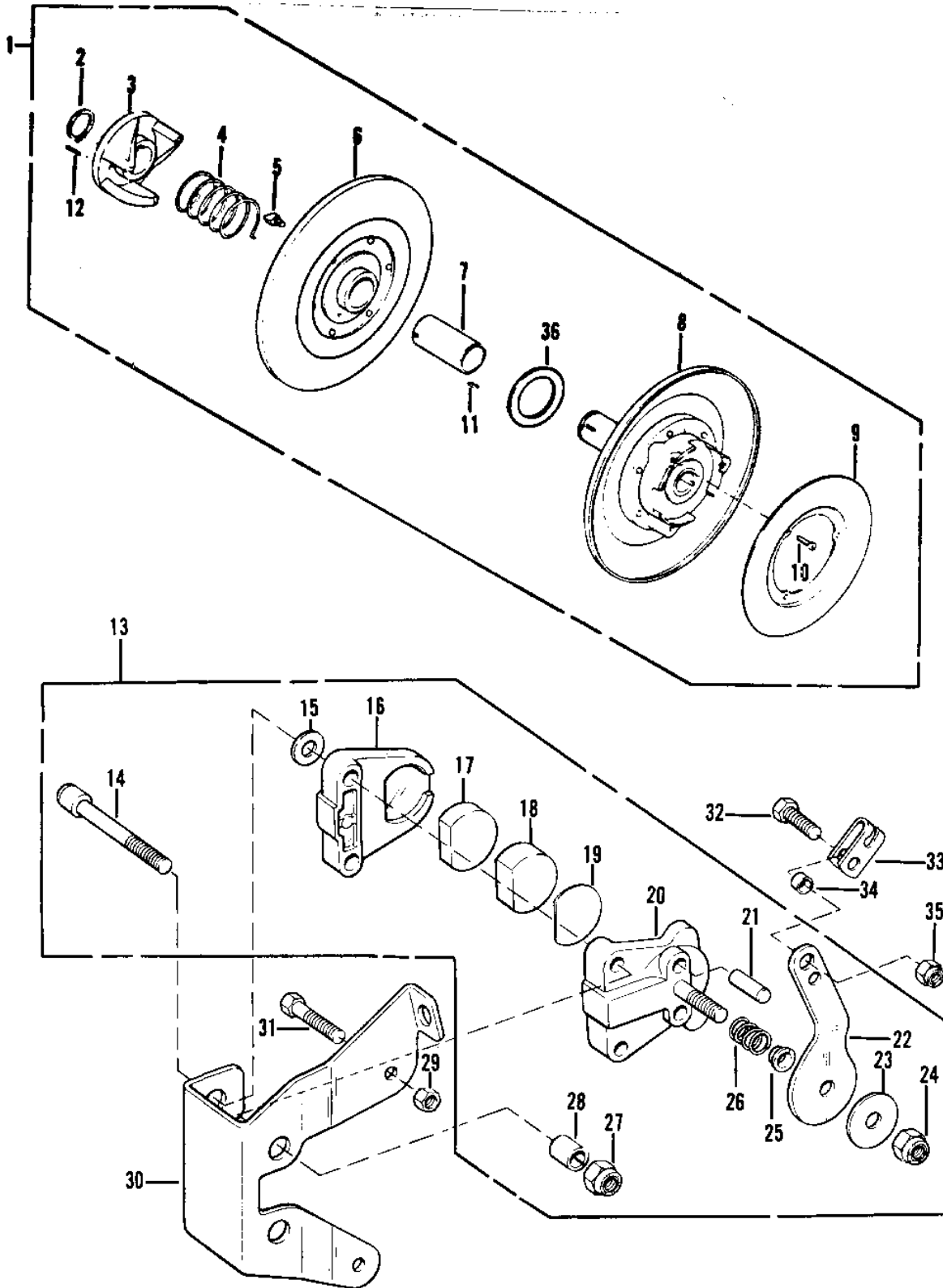


1978 Drifter 340 PARTS DIAGRAM

DRIVEN CONVERTER & BRAKE



Re
No

- 1
- 2
- 3
- 4
- 5
- 6
- 7
- 8
- 9
- 10
- 11
- 12
- 13
- 14
- 15
- 16
- 17
- 18
- 19
- 20
- 21
- 22
- 23
- 24
- 25
- 26
- 27
- 28
- 29
- 30
- 31
- 32
- 33
- 34
- 35
- 36

1978 Drifter 340 PARTS LIST

DRIVEN CONVERTER & BRAKE

ITEM NAME	PART NUMBER	QUANTITY
CONVERTOR-DRIVEN (Ref # 1)	49094-3501	1
.RING-SNAP (Ref # 2)	92033-3509	1
.RAMP (Ref # 3)	49092-3501	1
.SPRING-DRIVEN (Ref # 4)	92081-3535	1
.SHOE-SLIDE (Ref # 5)	49048-3501	1
.SHEAVE-MOVABLE (Ref # 6)	59301-3501	1
.BUSHING-CONVERTER (Ref # 7)	92028-3512	1
.SHEAVE-FIXED (Ref # 8)	59296-3501	1
.DISK-BRAKE (Ref # 9)	41080-3503	1
.SCREW (Ref # 10)	92009-3536	1
.KEY-WOODRUFF (Ref # 11)	92038-3503	1
.PIN-SPRING (Ref # 12)	92043-3523	1
BRAKE-ASSY (Ref # 13)	070215	1
.SCREW (Ref # 14)	92009-3537	1
.WASHER (Ref # 15)	412EA1000	1
.CALIPER-BRAKE (Ref # 16)	43042-3502	1
.PAD-BRAKE 5/16 (Ref # 17)	43050-3502	1
.PAD-BRAKE 1/2 (Ref # 18)	43050-3503	1
.WASHER (Ref # 19)	92022-3545	1
.CALIPER-BRAKE (Ref # 20)	43042-3503	1
.PIN (Ref # 21)	92043-3501	1
.CAM-BRAKE (Ref # 22)	41050-3501	1
.WASHER (Ref # 23)	92022-3504	1
.NUT (Ref # 24)	350BA1000	1
.GUIDE-SPRING (Ref # 25)	13070-3501	1
.SPRING-BRAKE CAM (Ref # 26)	92081-3511	1
.NUT (Ref # 27)	92015-3522	1
.BUSHING-BRAKE (Ref # 28)	92028-3511	1
NUT (Ref # 29)	350BA0800	1

1978 Drifter 340 PARTS LIST

DRIVEN CONVERTER & BRAKE

ITEM NAME	PART NUMBER	QUANTITY
BRACKET-BRAKE (Ref # 30)	11034-3569	1
BOLT (Ref # 31)	119BA0820	1
BOLT (Ref # 32)	118BA0812	1
RETAINER-CLEVIS (Ref # 33)	14020-3502	1
BUSHING-BRAKE (Ref # 34)	92028-3501	1
NUT (Ref # 35)	351BA0800	1
WASHER (Ref # 36)	92022-3566	1