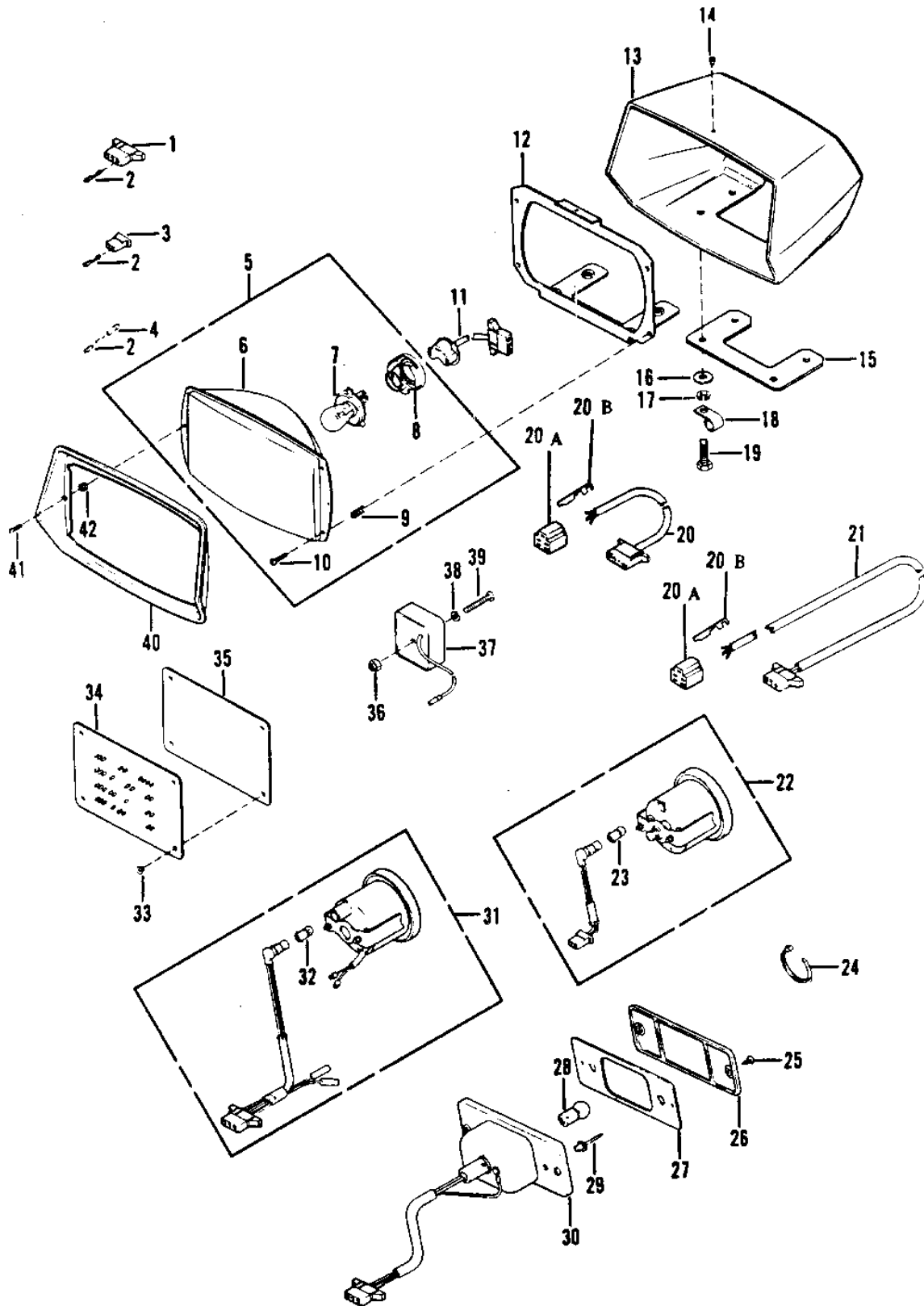


1978 Drifter 340 PARTS DIAGRAM

INSTRUMENTS, LIGHTS & WIRING



1978 Drifter 340 PARTS LIST

INSTRUMENTS, LIGHTS & WIRING

ITEM NAME	PART NUMBER	QUANTITY
HOUSING-SOCKET-NATURL (Ref # 1)	13227-3524	1
CONNECTOR-SOCKET (Ref # 2)	13159-3504	1
HOUSING-PIN (Ref # 3)	13227-3525	1
HOUSING-SOCKET-NATURL (Ref # 4)	13227-3523	1
LAMP-HEAD (Ref # 5)	23001-3502	1
.LENS-HEADLAMP (Ref # 6)	23026-3502	1
.BULB-HEAD LAMP (Ref # 7)	92069-3501	1
BULB-QUARTZ (Ref # 7)	92069-3507	1
.RETAINER-BULB (Ref # 8)	14020-3505	1
.SPRING-ADJ (Ref # 9)	92081-3523	1
.SCREW (Ref # 10)	92009-3517	1
HARNESS-HEADLAMP (Ref # 11)	040643	1
BRACKET-ASSY-HDLMP \$\$ (Ref # 12)	040628	1
HOUSING-HEAD LAMP (Ref # 13)	040660	1
RIVET (Ref # 14)	534YW0506	1
SPACER (Ref # 15)	040626	1
WASHER (Ref # 16)	412EA1000	1
WASHER (Ref # 17)	465FA1000	1
CLIP-J (Ref # 18)	92037-3519	1
BOLT (Ref # 19)	118BA1016	1
HARNESS-IGN SWITCH (Ref # 20)	26001-3510	1
CONNECTOR-HARNESS (Ref # 20A)	13159-3503	1
TERMINAL (Ref # 20B)	21169-3501	1
HARNESS-ENG PC BOARD (Ref # 21)	040644	1
BAND (Ref # 24)	92072-3505	2
SCREW (Ref # 25)	244DA0506	1
LENS-TAIL LAMP (Ref # 26)	23026-3503	1
GASKET-LENS-TAIL (Ref # 27)	11009-3505	1
BULB-TAIL LAMP (Ref # 28)	92069-3502	1

1978 Drifter 340 PARTS LIST

INSTRUMENTS, LIGHTS & WIRING

ITEM NAME	PART NUMBER	QUANTITY
RIVET (Ref # 29)	534YW0604	2
HOUSING-TAIL LAMP (Ref # 30)	040580	1
TACHOMETER (Ref # 31)	25015-3501	1
HARNESS-CIRCUIT BOARD (Ref # 34)	46082-3501	1
PLATE-CIRCUIT BOARD (Ref # 35)	13169-3533	1
NUT (Ref # 36)	912822	1
REGULATOR-VOLTAGE (Ref # 37)	040639	1
WASHER (Ref # 38)	917083	1
SCREW (Ref # 39)	92009-3561	1
RIM-HEADLAMP (Ref # 40)	040661	1
SCREW (Ref # 41)	040515	1
SPACER (Ref # 42)	040560	1