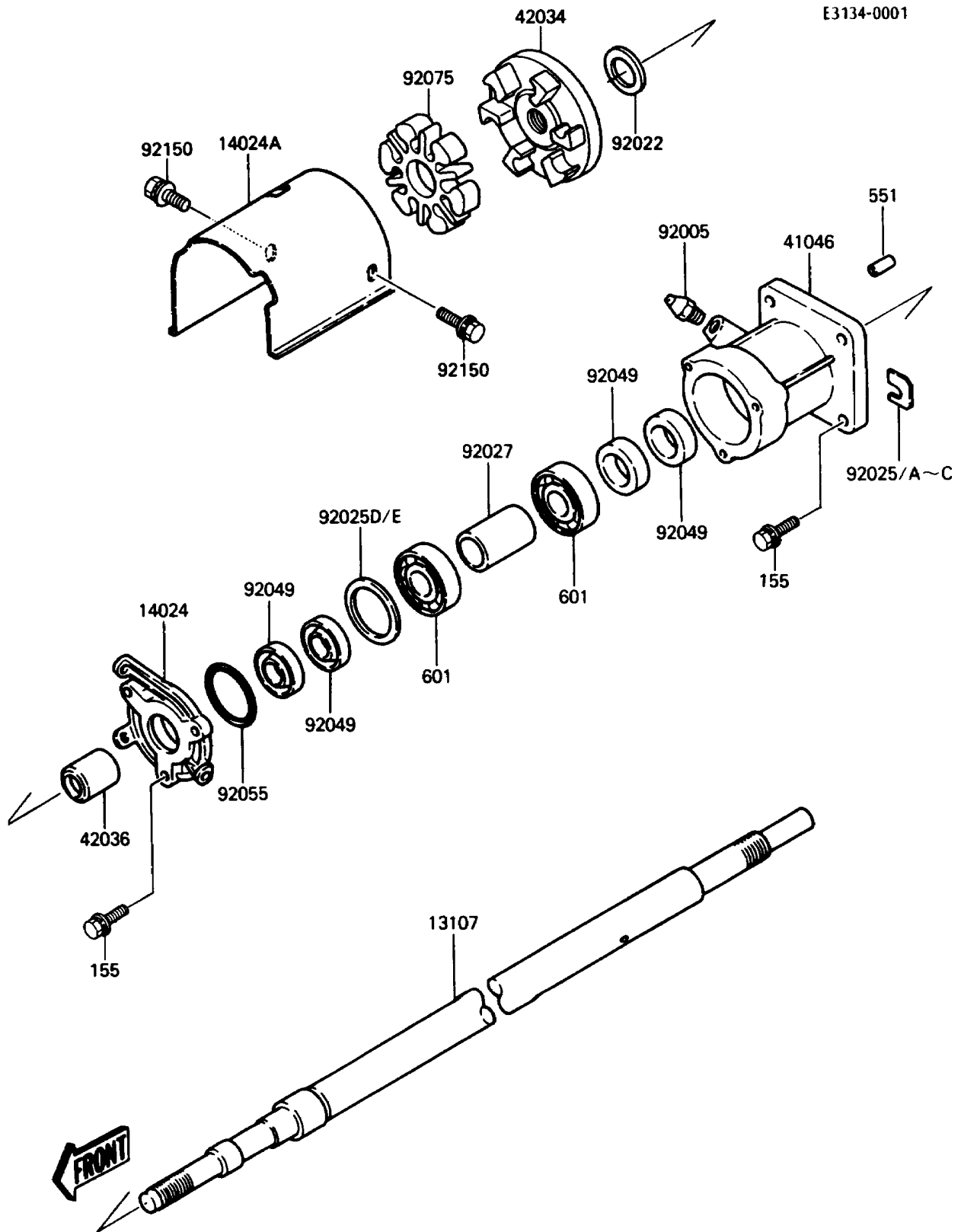


1988 JET SKI® JS300 PARTS DIAGRAM

Drive Shaft



1988 JET SKI® JS300 PARTS LIST

Drive Shaft

ITEM NAME	PART NUMBER	QUANTITY
SHAFT,DRIVE (Ref # 13107)	59111-515	1
COVER,BEARING (Ref # 14024)	14025-3008	1
COVER,COUPLING (Ref # 14024A)	59036-567	1
HOUSING-BEARING (Ref # 41046)	41046-502	1
COUPLING (Ref # 42034)	42034-3005	1
SLEEVE,BEARING (Ref # 42036)	42036-501	1
FITTING,GREASE (Ref # 92005)	92005-501	1
WASHER,18X26X2.0 (Ref # 92022)	92022-3728	1
SHIM,T=0.3MM (Ref # 92025)	92025-3701	1
SHIM,T=0.5MM (Ref # 92025A)	92025-3702	1
SHIM,T=1.0MM (Ref # 92025B)	92025-3703	1
SHIM,T=1.5MM (Ref # 92025C)	92025-3704	1
SHIM,T=0.15 (Ref # 92025D)	92025-502	1
SHIM,T=0.3 (Ref # 92025E)	92025-503	1
COLLAR (Ref # 92027)	92027-502	1
SEAL-OIL,AC1799EX (Ref # 92049)	92050-501	1
RING-O (Ref # 92055)	92055-501	1
DAMPER,COUPLING (Ref # 92075)	92075-520	1
BOLT,6X16 (Ref # 92150)	92150-3714	1
BOLT-WSP-SMALL,8X25 (Ref # 155)	155R0825	1
PIN-DOWEL (Ref # 551)	551R0612	1
BEARING-BALL,#6305C3 (Ref # 601)	601B6305	1