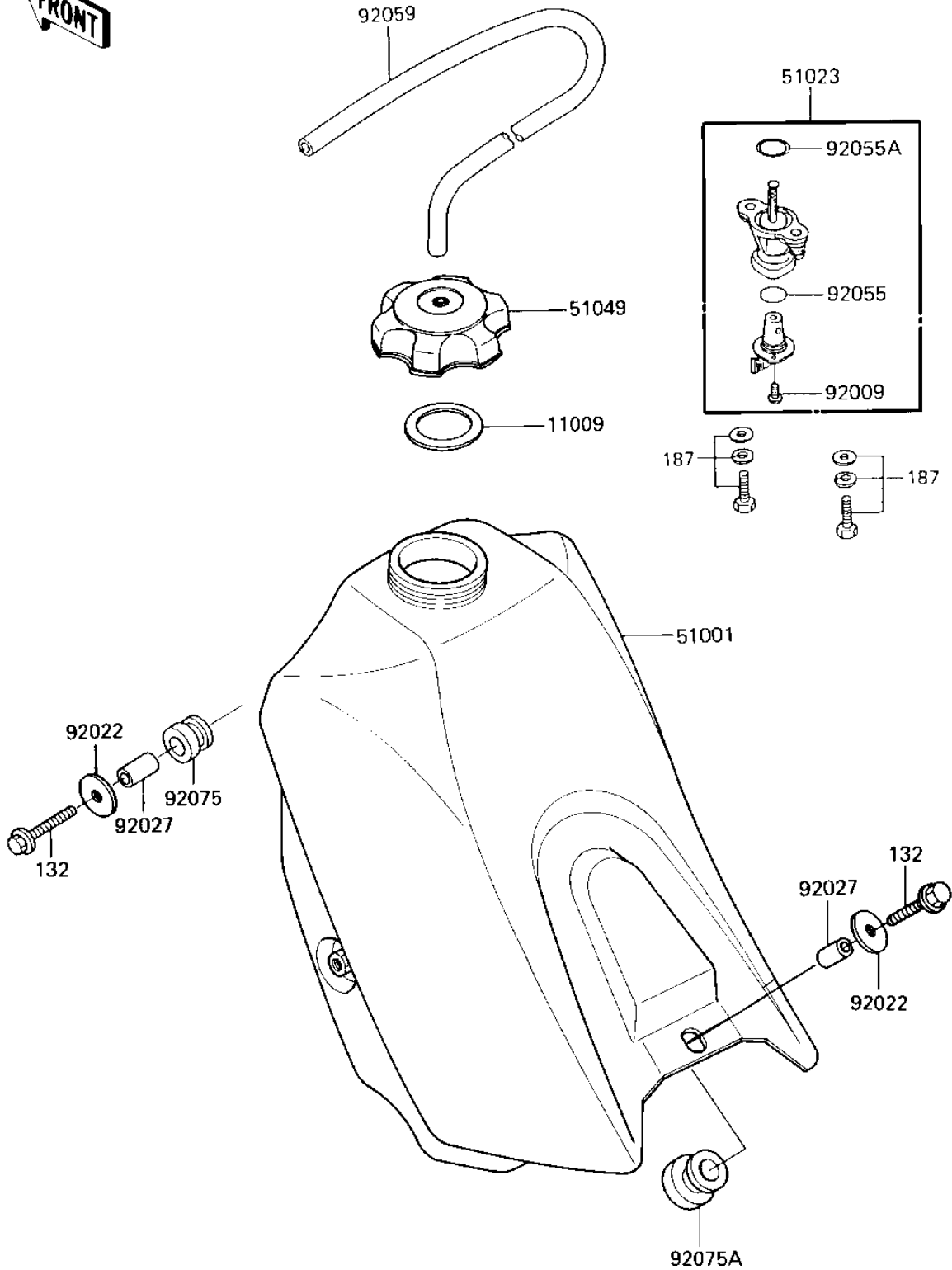


1987 KX™500 PARTS DIAGRAM

FUEL TANK

F2410-0344



1987 KX™500 PARTS LIST

FUEL TANK

ITEM NAME	PART NUMBER	QUANTITY
GASKET,FUEL TANK CAP (Ref # 11009)	11060-1340	1
TANK-COMP-FUEL,L.GREE (Ref # 51001)	51001-1254-6W	1
TAP-ASSY-FUEL (Ref # 51023)	51023-1115	1
CAP-TANK,FUEL (Ref # 51049)	51049-1089	1
SCREW PAN HEAD 3X8 (Ref # 92009)	220E0308	1
WASHER (Ref # 92022)	92022-1690	1
COLLAR,6.8X10X14 (Ref # 92027)	92027-1966	1
RING-O (Ref # 92055)	92055-1299	1
RING-O (Ref # 92055A)	92055-1300	1
TUBE,5X9X350 (Ref # 92059)	92059-1265	1
DAMPER (Ref # 92075)	92075-1787	1
DAMPER (Ref # 92075A)	92075-1937	1
BOLT-FLANGED-SMALL (Ref # 132)	132G0625	1
BOLT-UPSET-WSP (Ref # 187)	187B0616	1