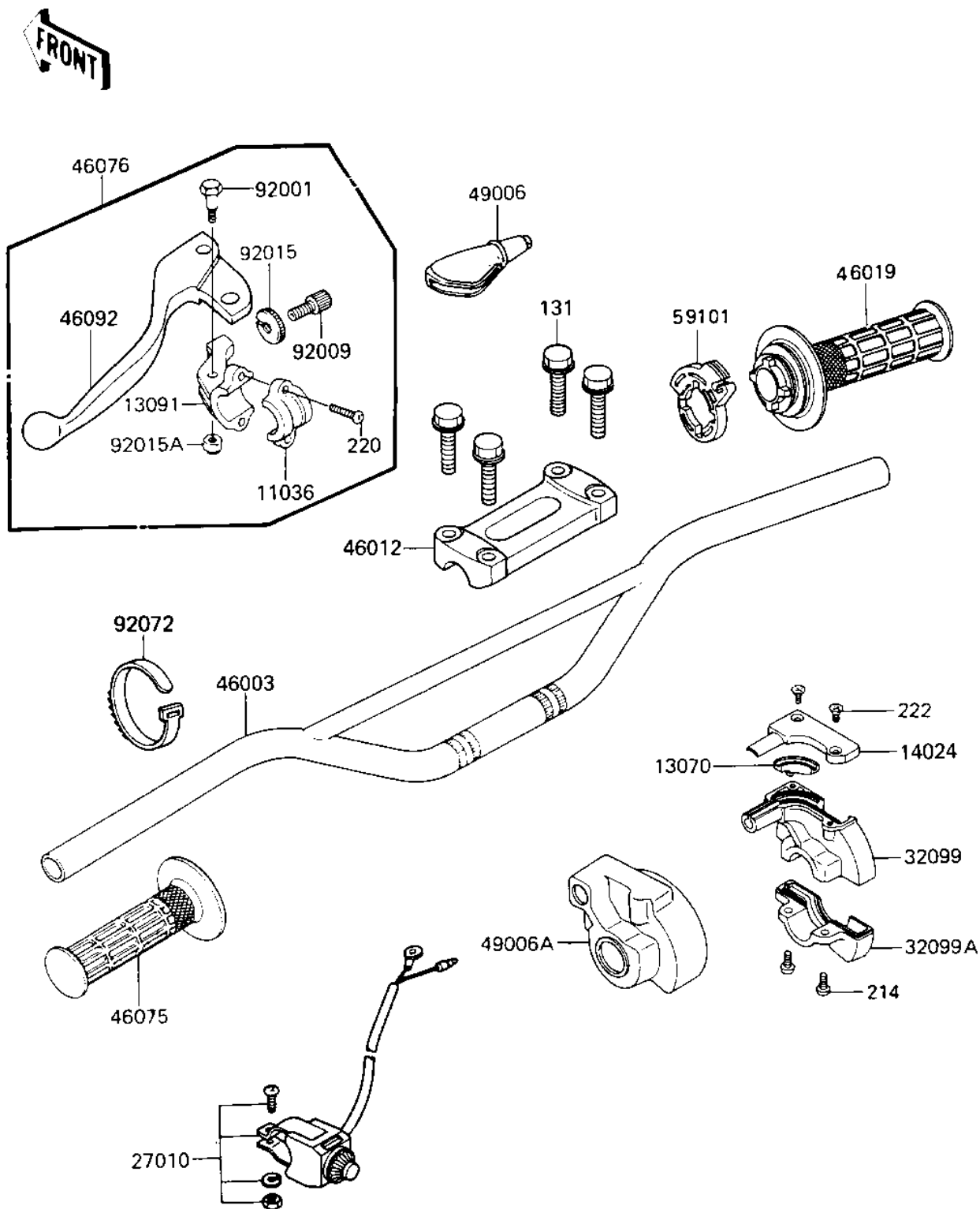


1987 KX™500 PARTS DIAGRAM

HANDLEBAR

F2310-0402



1987 KX™500 PARTS LIST

HANDLEBAR

ITEM NAME	PART NUMBER	QUANTITY
BRACKET-A (Ref # 11036)	11036-1297	1
GUIDE,SPRING (Ref # 13070)	13070-1075	1
HOLDER,CLUTCH LEVER (Ref # 13091)	13091-1131	1
COVER,THROTTLE CASE U (Ref # 16024)	14025-1646	1
SWITCH,ENGINE STOP (Ref # 27010)	27010-1161	1
CASE,THROTTLE UPP (Ref # 32099)	32099-1036	1
CASE,THROTTLE LWR (Ref # 32099A)	32099-1044	1
HANDLE,LOW TYPE (Ref # 46003)	46003-1253	1
HOLDER-HANDLE (Ref # 46012)	46012-1177	1
GRIP-ASSY,THROTTLE (Ref # 46019)	46019-1054	1
GRIP,LH (Ref # 46075)	46075-1024	1
LEVER-ASSY-GRIP,CLUTC (Ref # 46076)	46076-1145	1
LEVER-GRIP (Ref # 46092)	46092-1142	1
BOOTS,LEVER HOLDER (Ref # 49006)	49006-1017	1
BOOT,THROTTLE CASE (Ref # 49006A)	49006-1097	1
REEL,THROTTLE (Ref # 59101)	59101-1107	1
BOLT,LEVER SET (Ref # 92001)	92001-1757	1
SCREW,CABLE ADJUST (Ref # 92009)	46055-009	1
NUT,CABLE ADJUST LOCK (Ref # 92015)	46056-006	1
NUT (Ref # 92015A)	92019-008	1
BAND,SHORT (Ref # 92072)	92072-030	1
BOLT-FLANGED,8X30 (Ref # 131)	131G0830	1
SCREW-PAN-CROS,5X18 (Ref # 214)	220C0518	1
SCREW-PAN-CROSS,5X14 (Ref # 220)	220C0514	1
SCREW OVL CNTSNK 4X12 (Ref # 222)	222E0412	1