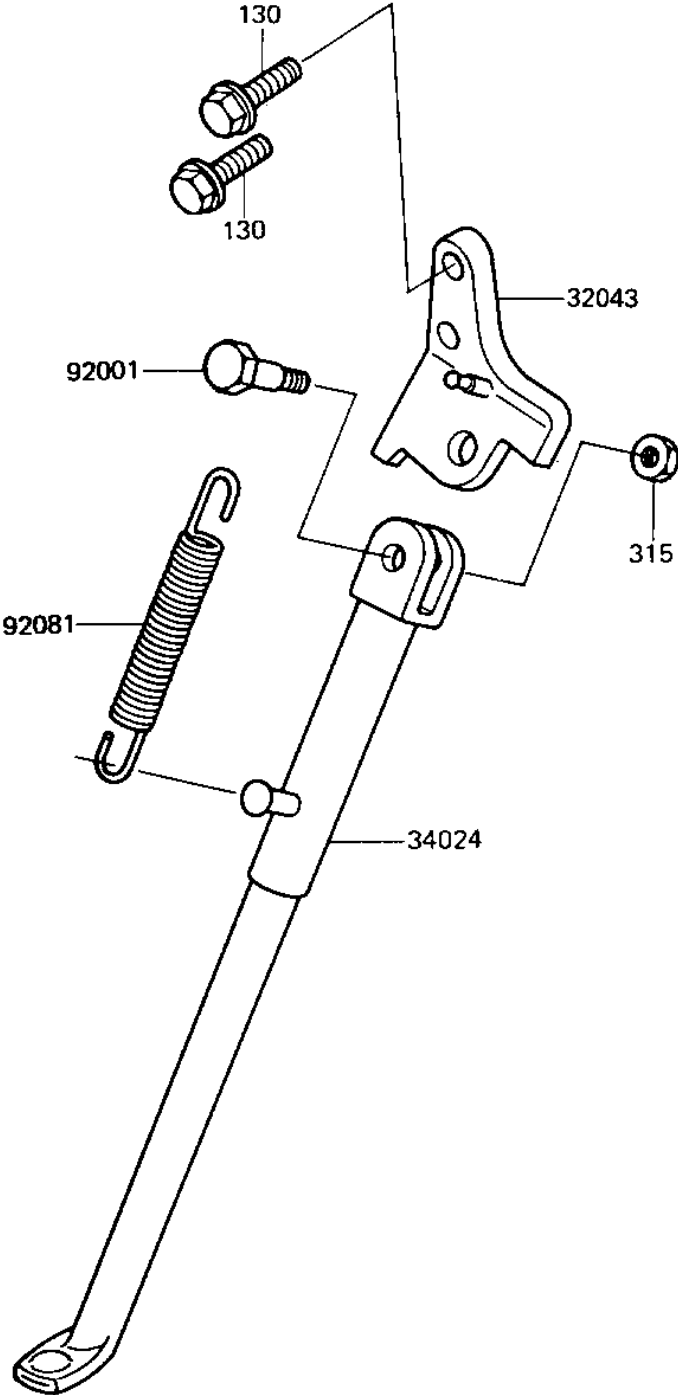


## 1987 KX™500 PARTS DIAGRAM

STAND

F2190-0175



## 1987 KX™500 PARTS LIST

### STAND

ITEM NAME	PART NUMBER	QUANTITY
BRACKET-STAND,SIDE (Ref # 32043)	32043-1294	1
STAND-SIDE (Ref # 34024)	34024-1186	1
BOLT, SIDE STAND FIT (Ref # 92001)	92003-157	1
SPRING-SIDE STAND (Ref # 92081)	34025-004	1
BOLT-FLANGED,10X16 (Ref # 130)	130G1016	1
NUT 10MM (Ref # 315)	315B1000	1