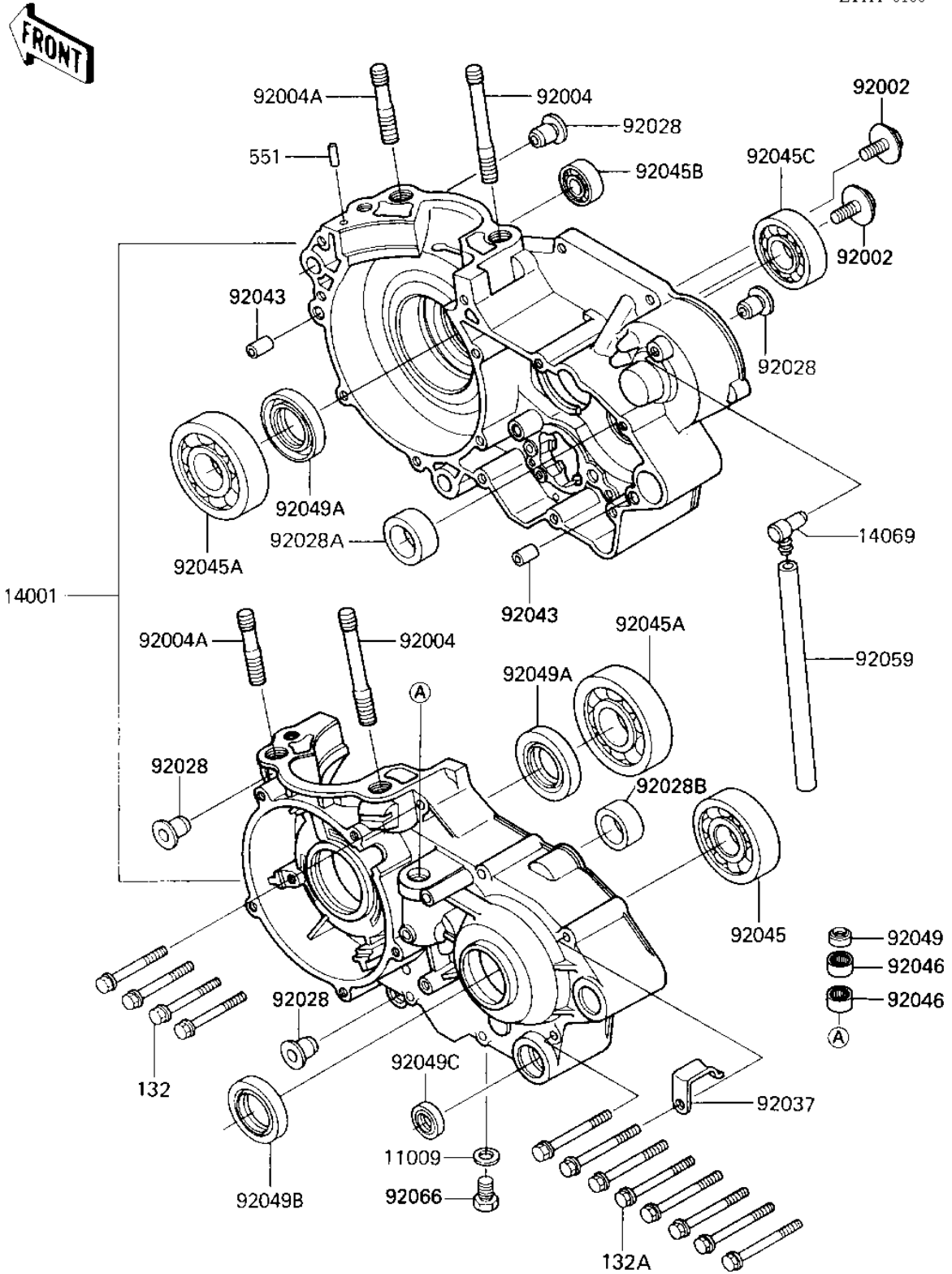


1987 KX™500 PARTS DIAGRAM

CRANKCASE

E1411-0166



1987 KX™500 PARTS LIST

CRANKCASE

ITEM NAME	PART NUMBER	QUANTITY
GASKET CHECK VALVE (Ref # 11009)	92065-058	1
SET-CRANKCASE (Ref # 14001)	14001-5295	1
BREATHER (Ref # 14069)	14069-003	1
BOLT (Ref # 92002)	92002-1659	1
STUD,10X67 (Ref # 92004)	92004-1052	1
STUD,10X45 (Ref # 92004A)	92004-1160	1
BUSHING,CRANKCASE (Ref # 92028)	92028-1133	1
BUSHING (Ref # 92028A)	92028-131	1
BUSHING (Ref # 92028B)	92028-132	1
CLAMP,HARNESS (Ref # 92037)	92037-1318	1
PIN-DOWEL (Ref # 92043)	92042-007	1
BEARING,BALL,#6305 (Ref # 92045)	92045-1011	1
BEARING,B,6306SH2-9TC (Ref # 92045A)	92045-1027	1
BEARING-BALL (Ref # 92045B)	92045-1212	1
BEARING-BALL,63/22T2C (Ref # 92045C)	92045-1134	1
BEARING,NEEDLE,HK1210 (Ref # 92046)	92046-1010	1
SEAL-OIL (Ref # 92049)	92049-1271	1
OIL SEAL,TB30508 (Ref # 92049A)	92050-057	1
SEAL-OIL,TC32457 (Ref # 92049B)	92049-1159	1
OIL SEAL,TB13225.5 (Ref # 92049C)	92051-005	1
PIPE-BREATHER (Ref # 92059)	92059-061	1
PLUG (Ref # 92066)	92066-1241	1
BOLT-FLANGED-SMALL (Ref # 132)	132G0650	1
BOLT-FLANGED-SMALL (Ref # 132A)	132G0660	1
PIN-DOWEL (Ref # 551)	551A0412	1