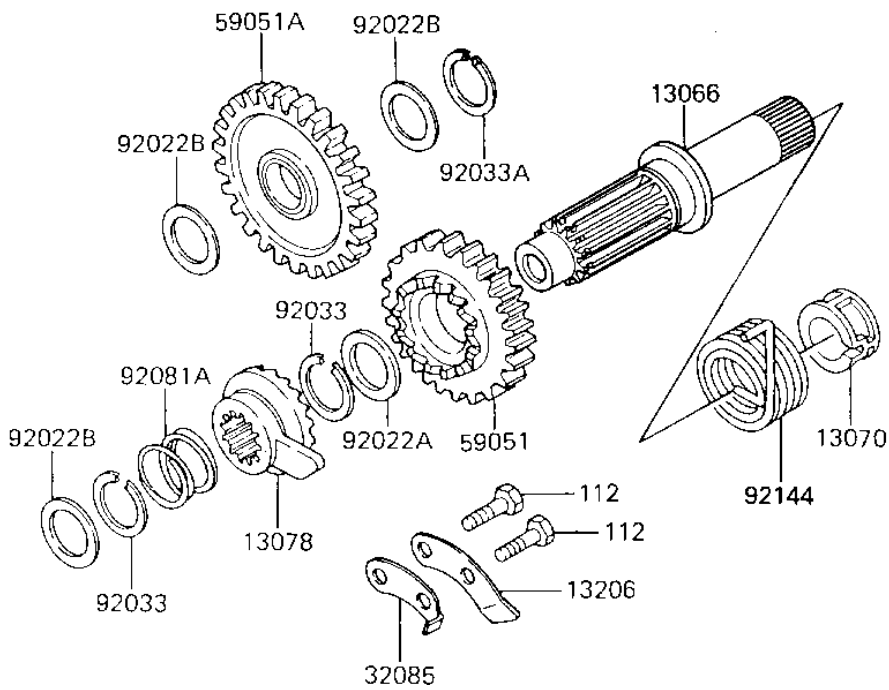
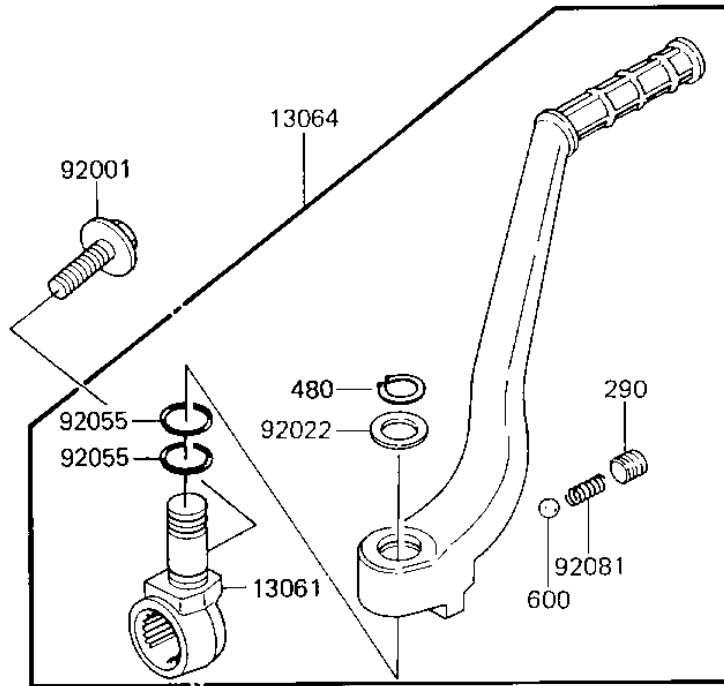


## 1987 KX™500 PARTS DIAGRAM

KICKSTARTER MECHANISM

E1340-0032



## 1987 KX™500 PARTS LIST

### KICKSTARTER MECHANISM

ITEM NAME	PART NUMBER	QUANTITY
BOSS,KICKSTARTER PEDA (Ref # 13061)	13061-1217	1
LEVER-ASSY-KICK,PEDAL (Ref # 13064)	13064-1130	1
SHAFT-KICK (Ref # 13066)	13066-1056	1
GUID,KICKSTARTER SPRG (Ref # 13070)	13070-011	1
RATCHET (Ref # 13078)	13078-007	1
GUIDE,KICKSTARTER (Ref # 13206)	13206-1003	1
STOPPER,KICKSTARTER (Ref # 32085)	13072-014	1
GEAR-SPUR,KICKSTARTER (Ref # 59051)	59051-1149	1
GEAR-SPUR,IDLE,26T (Ref # 59051A)	59051-1150	1
BOLT,FLANGED,8X17 (Ref # 92001)	92001-1371	1
WASHER,16.3X24X1 (Ref # 92022)	92022-1205	1
WASHER-PLAIN 25MM (Ref # 92022A)	92022-159	1
WASHER (Ref # 92022B)	92022-252	1
CIRCLIP (Ref # 92033)	92033-026	1
CIRCLIP,18MM (Ref # 92033A)	92033-029	1
"O" RING (Ref # 92055)	92055-061	1
SPRING KICK PEDAL (Ref # 92081)	92081-020	1
SPRING (Ref # 92081A)	92081-097	1
SPRING,KICKSTARTER (Ref # 92144)	92144-1115	1
BOLT-UPSET (Ref # 112)	112G0618	1
SCREW-SET-SOCKET (Ref # 290)	290P0816	1
CIRCLIP 15MM (Ref # 480)	480J1500	1
BALL STEEL 1/4' (Ref # 600)	600A0800	1