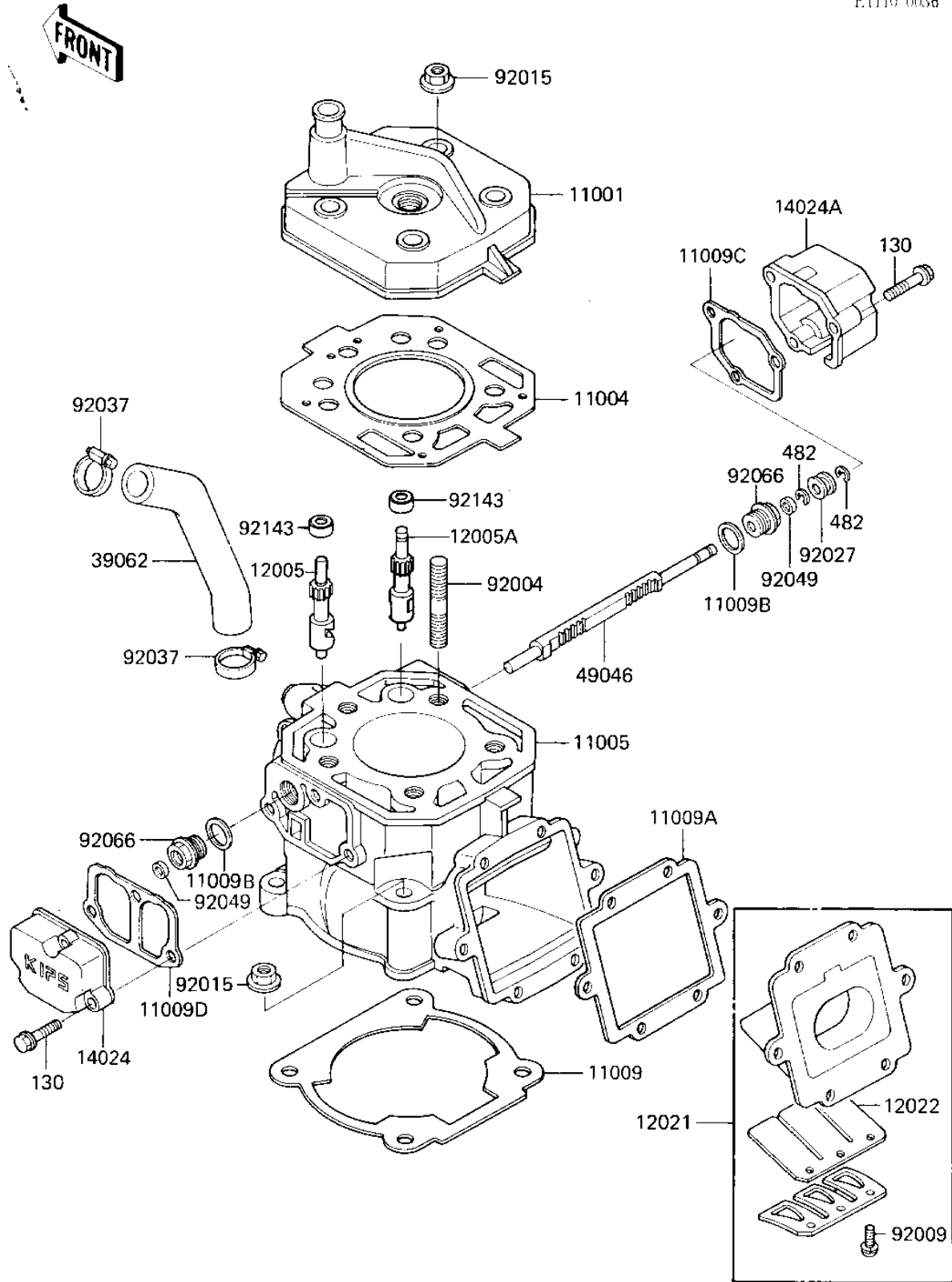


## 1987 KX™125 PARTS DIAGRAM

CYLINDER HEAD/CYLINDER/REED VALVE

E1119 0036



## 1987 KX™125 PARTS LIST

CYLINDER HEAD/CYLINDER/REED VALVE

ITEM NAME	PART NUMBER	QUANTITY
HEAD-CYLINDER (Ref # 11001)	11001-1244	1
GASKET-HEAD (Ref # 11004)	11004-1160	1
CYLINDER-ENGINE (Ref # 11005)	11005-1508	1
GASKET,CYLINDER BASE (Ref # 11009)	11009-1258	1
GASKET,REED VALVE (Ref # 11009A)	11009-1941	1
GASKET,16.2X22X1 (Ref # 11009B)	11009-1467	1
GASKET,RH,GOVERNOR (Ref # 11009C)	11009-1479	1
GASKET,LH,RESONATOR (Ref # 11009D)	11009-1641	1
VALVE-EXHAUST,LH (Ref # 12005)	12005-1088	1
VALVE-EXHAUST,RH (Ref # 12005A)	12005-1089	1
VALVE-ASSY-REED (Ref # 12021)	12021-1064	1
VALVE-REED (Ref # 12022)	12022-1057	1
COVER,LH,RESONATOR (Ref # 14024)	14024-1400	1
COVER,RH,GOVERNOR (Ref # 14024A)	14024-1650	1
HOSE-COOLING,PUMP-CYL (Ref # 39062)	39062-1205	1
ROD-GOVERNOR (Ref # 49046)	49046-1059	1
STUD (Ref # 92004)	92004-1175	1
SCREW,REED VALVE (Ref # 92009)	92009-1014	1
NUT-8MM (Ref # 92015)	92015-1143	1
COLLAR,GOVERNOR ROD (Ref # 92027)	92027-1834	1
CLAMP,COOLING HOSE (Ref # 92037)	92037-1589	1
SEAL-OIL,RSO-5.5 11 4 (Ref # 92049)	92049-1206	1
PLUG,ROD (Ref # 92066)	92066-1194	1
COLLAR,EXHAUST VALVE (Ref # 92143)	92143-1074	1
BOLT-FLANGED (Ref # 130)	130G0525	1
482K4000 (Canada) (Ref # 482)	482J4000	1