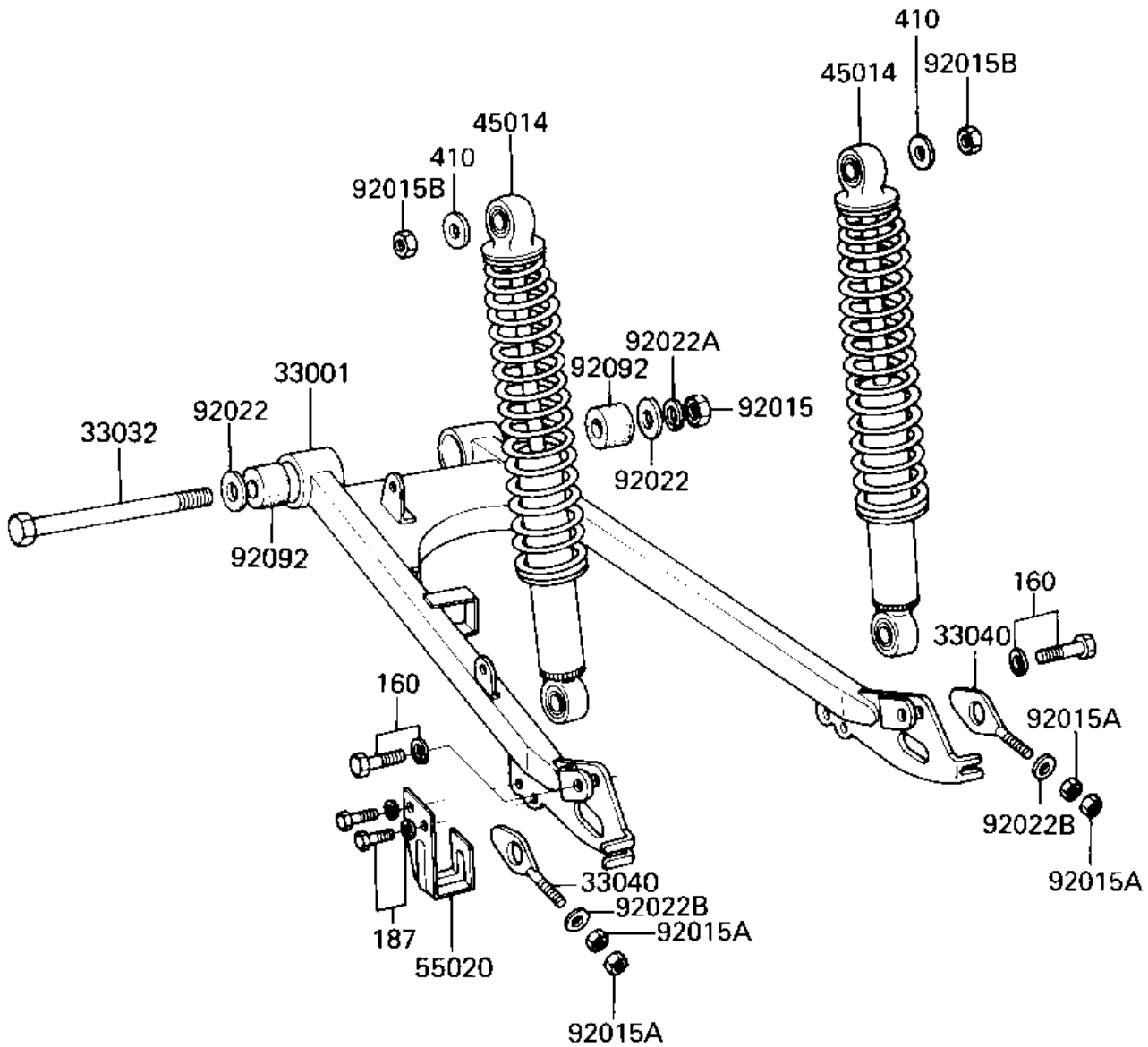


1987 KD80 PARTS DIAGRAM

SWING ARM/SHOCK ABSORBERS

F2140-0188



1987 KD80 PARTS LIST

SWING ARM/SHOCK ABSORBERS

ITEM NAME	PART NUMBER	QUANTITY
ARM,SWINGING (Ref # 33001)	33001-1045	1
SHAFT,SWING ARM PIVOT (Ref # 33032)	33032-043	1
ADJUSTER CHAIN (Ref # 33040)	33040-008	1
SHOCKABSORBER (Ref # 45014)	45014-1214	1
GUARD,CHAIN (Ref # 55020)	55020-012	1
NUT,12MM (Ref # 92015)	92015-1381	1
NUT,6MM (Ref # 92015A)	92015-1391	1
NUT,12MM (Ref # 92015B)	92015-1426	1
WASHER,12MM (Ref # 92022)	92022-1538	1
WASHER SPRING 12MM (Ref # 92022A)	461F1200	1
WASHER,6.5X16X2 (Ref # 92022B)	92022-1565	1
BUSH SWING ARM SHAFT (Ref # 92092)	92092-005	1
BOLT-FINE-WS (Ref # 160)	160N1030	1
BOLT-UPSET-WSP (Canada) (Ref # 187)	187X0616	1
WASHER PLAIN 12MM (Ref # 410)	410B1200	1