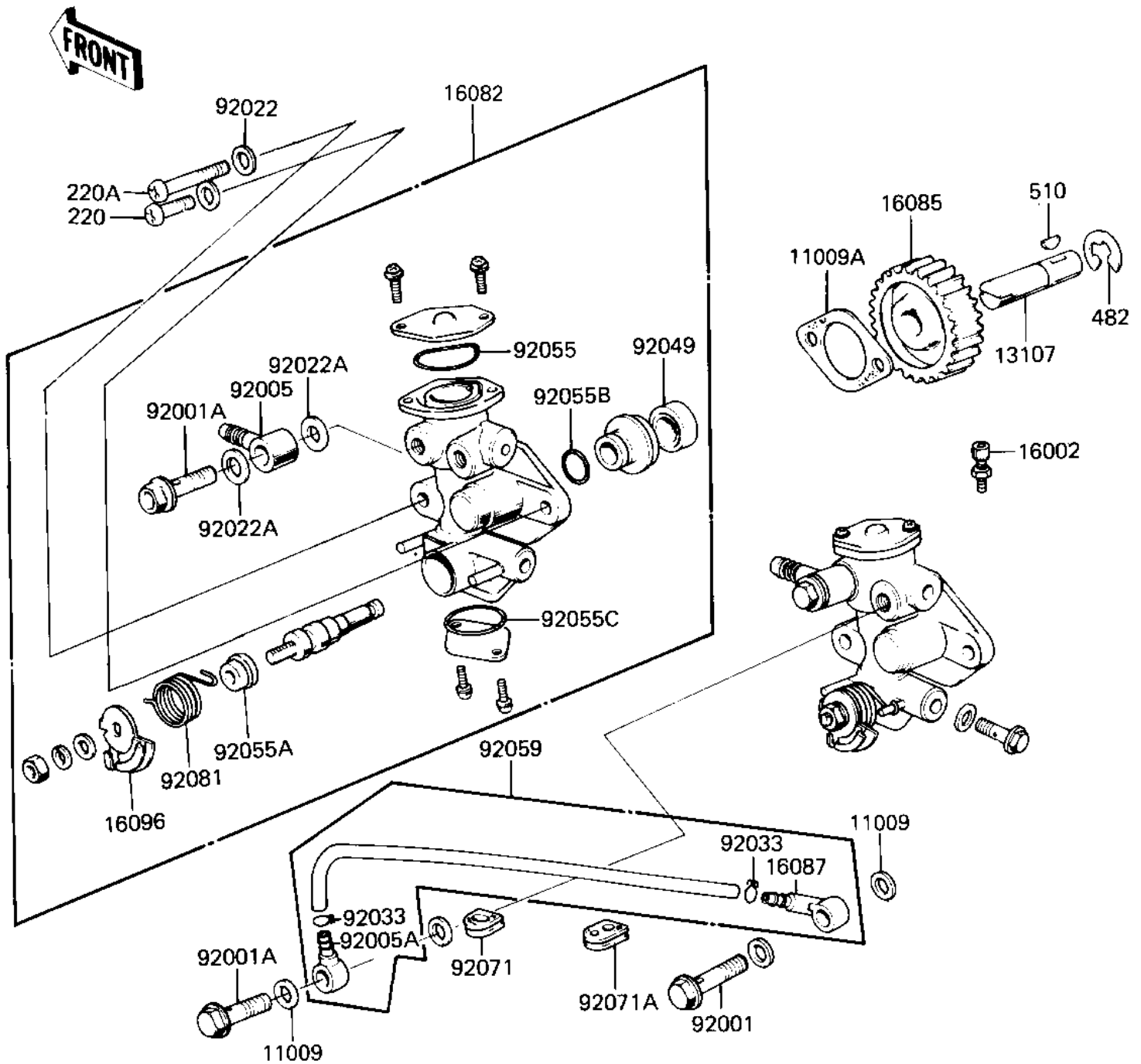


1987 KD80 PARTS DIAGRAM

OIL PUMP

E1710-0029



1987 KD80 PARTS LIST

OIL PUMP

| ITEM NAME | PART NUMBER | QUANTITY |
|--------------------------------------|-------------|----------|
| GASKET,6X12X1.0 (Ref # 11009) | 11009-1298 | 1 |
| GASKET,OIL PUMP (Ref # 11009A) | 11060-1160 | 1 |
| SHAFT OIL PUMP (Ref # 13107) | 16086-001 | 1 |
| ADJUSTER,CABLE (Ref # 16002) | 16002-012 | 1 |
| PUMP ASSY, OIL (Ref # 16082) | 16082-067 | 1 |
| GEAR OIL PUMP (Ref # 16085) | 16085-004 | 1 |
| VALVE,CHECK (Ref # 16087) | 16128-009 | 1 |
| LEVER,OIL PUMP CABLE (Ref # 16096) | 16096-012 | 1 |
| BOLT BANJO (Ref # 92001) | 92060-008 | 1 |
| BOLT-BANJO,6MM (Ref # 92001A) | 92060-013 | 1 |
| CONNECTOR BANJO (Ref # 92005) | 92061-009 | 1 |
| CONNECTOR,OIL PIPE (Ref # 92005A) | 92061-018 | 1 |
| WASHER OIL PUMP (Ref # 92022) | 92022-037 | 1 |
| WASHER OIL PUMP BANJO (Ref # 92022A) | 92022-077 | 1 |
| CLAMP,OIL PIPE (Ref # 92033) | 92036-022 | 1 |
| OIL SEAL OIL PUMP SHT (Ref # 92049) | 16091-001 | 1 |
| "O" RING,UPPER CAP (Ref # 92055) | 16088-002 | 1 |
| SEAL-OIL,CAMSHAFT,"X" (Ref # 92055A) | 92049-1294 | 1 |
| "O" RING,OIL PUMP SHT (Ref # 92055B) | 16090-002 | 1 |
| "O" RING,LOWER CAP (Ref # 92055C) | 16090-004 | 1 |
| PIPE,OIL (Ref # 92059) | 16134-021 | 1 |
| GROMMET WIRING HARN (Ref # 92071) | 21017-002 | 1 |
| GROMMET,OIL PIPE (Ref # 92071A) | 92071-067 | 1 |
| SPRING,OIL PUMP LEVER (Ref # 92081) | 16093-006 | 1 |
| SCREW-PAN-CROS (Ref # 220) | 220B0514 | 1 |
| SCREW PAN CROSS,5X28 (Ref # 220A) | 220B0528 | 1 |
| CIRCLIP 9MM (Ref # 482) | 482K9000 | 1 |
| WOODRUFF KEY (Ref # 510) | 510A3100 | 1 |