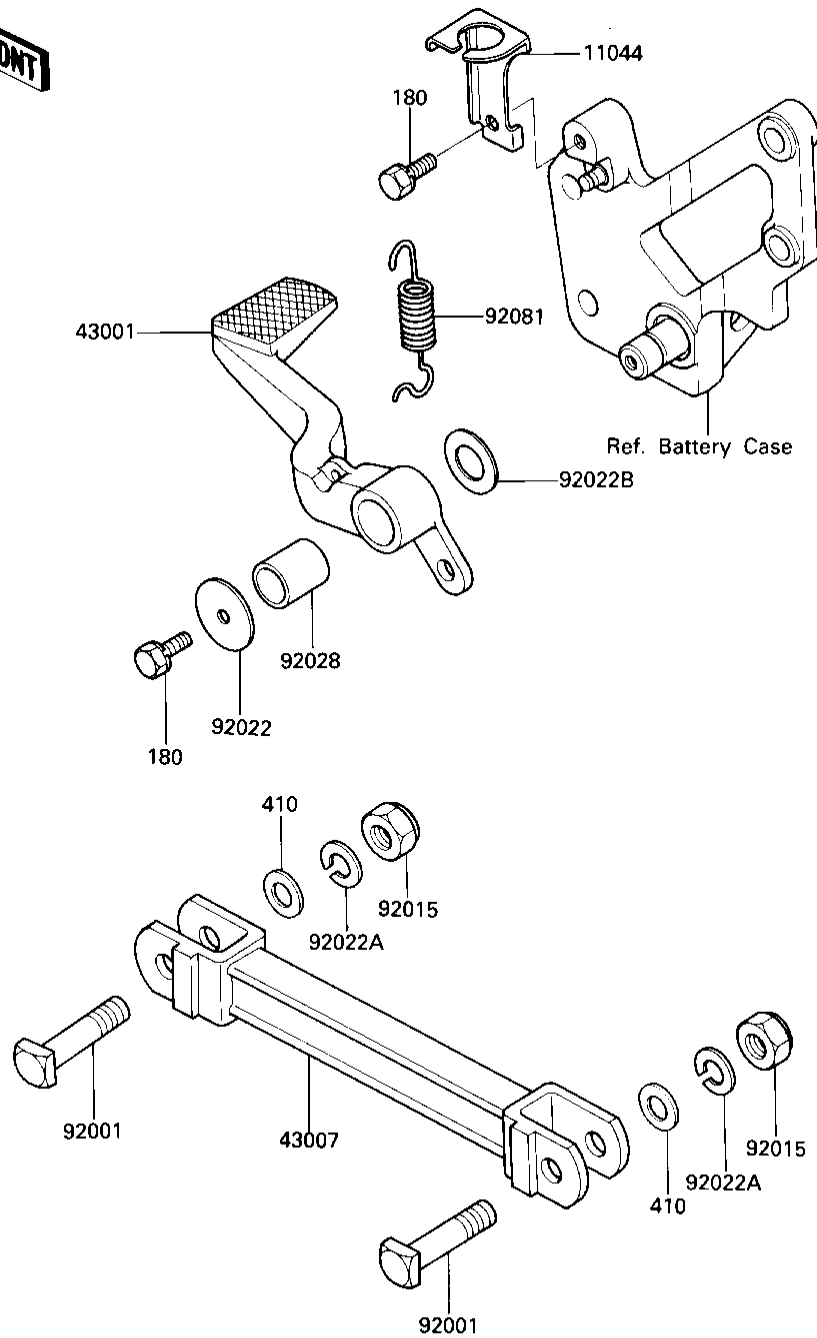


## 1987 NINJA® 600R PARTS DIAGRAM

BRAKE PEDAL/TORQUE LINK

F2260-0155

Re  
No



## 1987 NINJA® 600R PARTS LIST

### BRAKE PEDAL/TORQUE LINK

ITEM NAME	PART NUMBER	QUANTITY
BRACKET,RR BRAKE SWITCH (Ref # 11044)	11044-1107	1
LEVER-BRAKE,PEDAL (Ref # 43001)	43001-1190	1
ROD-TORQUE (Ref # 43007)	43007-1115	1
BOLT,SQUARE HEAD (Ref # 92001)	92001-1307	1
NUT,LOCK,10MM (Ref # 92015)	92019-021	1
WASHER,7X28X1.6 (Ref # 92022)	92022-1282	1
WASHER,SPRING,10MM (Ref # 92022A)	92022-1540	1
WASHER,PLAIN (Ref # 92022B)	92022-326	1
BUSHING,BRAKE PEDAL (Ref # 92028)	92028-1282	1
SPRING,BRAKE PEDAL (Ref # 92081)	92081-1833	1
BOLT-UPSET-WS,6X14 (Ref # 180)	180B0614	1
WASHER PLAIN 10MM (Ref # 410)	410B1000	1