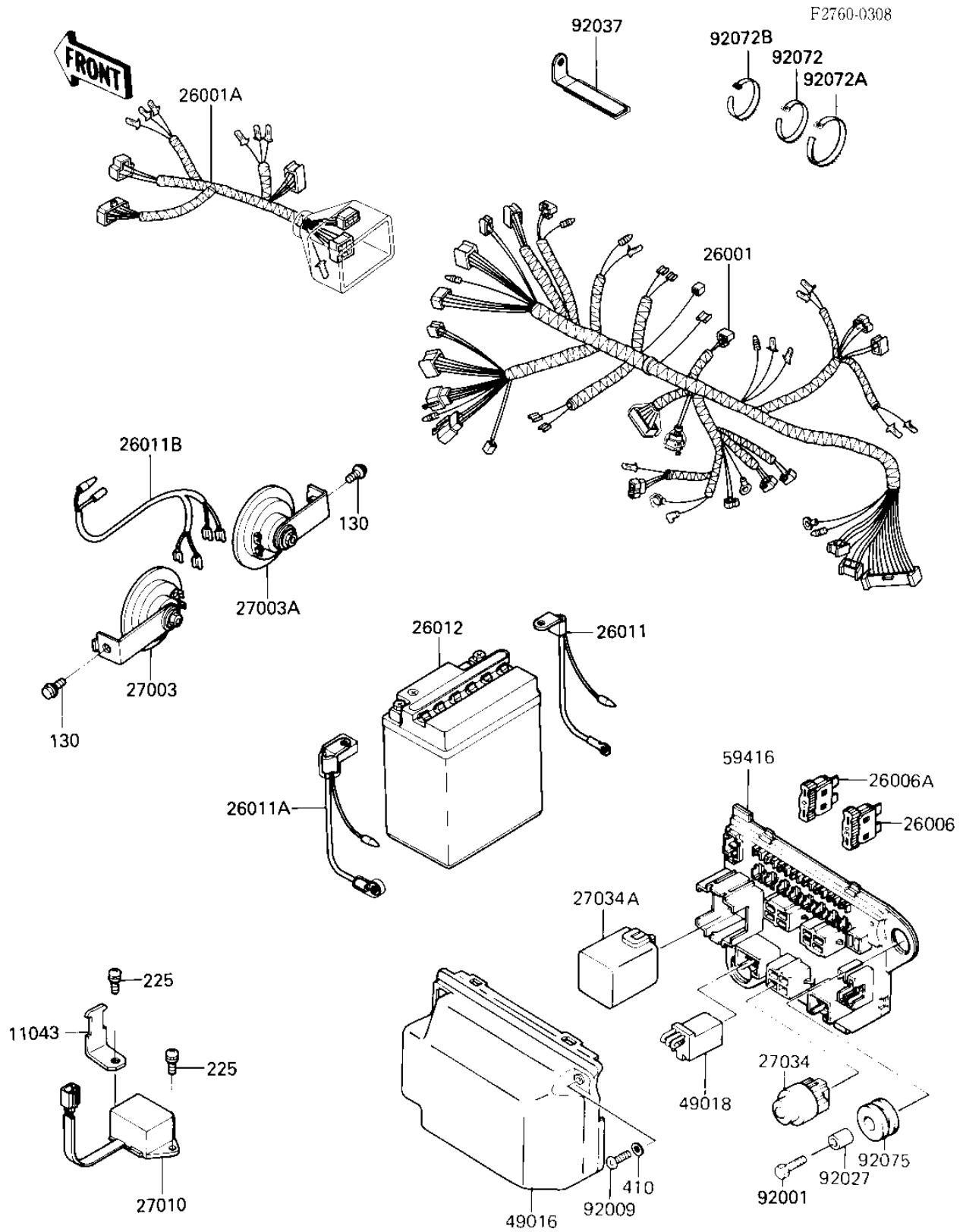


1986 NINJA® ZX™-9R PARTS DIAGRAM

CHASSIS ELECTRICAL EQUIPMENT



1986 NINJA® ZX™-9R PARTS LIST

CHASSIS ELECTRICAL EQUIPMENT

ITEM NAME	PART NUMBER	QUANTITY
BRACKET (Ref # 11043)	11043-1811	1
HARNESS,MAIN (Ref # 26001)	26001-1740	1
HARNESS,FRONT (Ref # 26001A)	26001-1741	1
FUSE,30A-G (Ref # 26006)	26006-1006	1
FUSE,10A-R (Ref # 26006A)	26006-1007	1
WIRE-LEAD,BATTERY GRO (Ref # 26011)	26011-1189	1
WIRE-LEAD,BATTERY(+) (Ref # 26011A)	26011-1270	1
WIRE-LEAD (Ref # 26011B)	26011-1274	1
YUA BAT YB14L-A2 (Ref # 26012)	26012-1008	1
HORN,LH (Ref # 27003)	27003-1205	1
HORN,RH (Ref # 27003A)	27003-1308	1
SWITCH,RESERV LIGHTIN (Ref # 27010)	27010-1066	1
RELAY,STARTER (Ref # 27034)	27034-1006	1
RELAY,FLASHER (Ref # 27034A)	27034-1007	1
COVER-SEAL (Ref # 49016)	49016-1050	1
DIODE (Ref # 49018)	49018-1006	1
CASE-ELECTRIC (Ref # 59416)	59416-1056	1
BOLT,6X22 (Ref # 92001)	92002-1262	1
SCREW,TAPPING,4X10 (Ref # 92009)	92009-1021	1
COLLAR,REAR FENDER (Ref # 92027)	92027-162	1
CLAMP (Ref # 92037)	92037-1564	1
BAND,SHORT (Ref # 92072)	92072-030	1
BAND,LONG (Ref # 92072A)	92072-032	1
BAND,WIRING HARNESS (Ref # 92072B)	92072-056	1
DAMPER (Ref # 92075)	92075-1562	1
BOLT-FLANGED,8X12,BLA (Ref # 130)	130C0812	1
SCREW-PAN-WSP-CROS (Ref # 225)	225B0620	1
WASHER PLAIN 4MM (Ref # 410)	410B0400	1