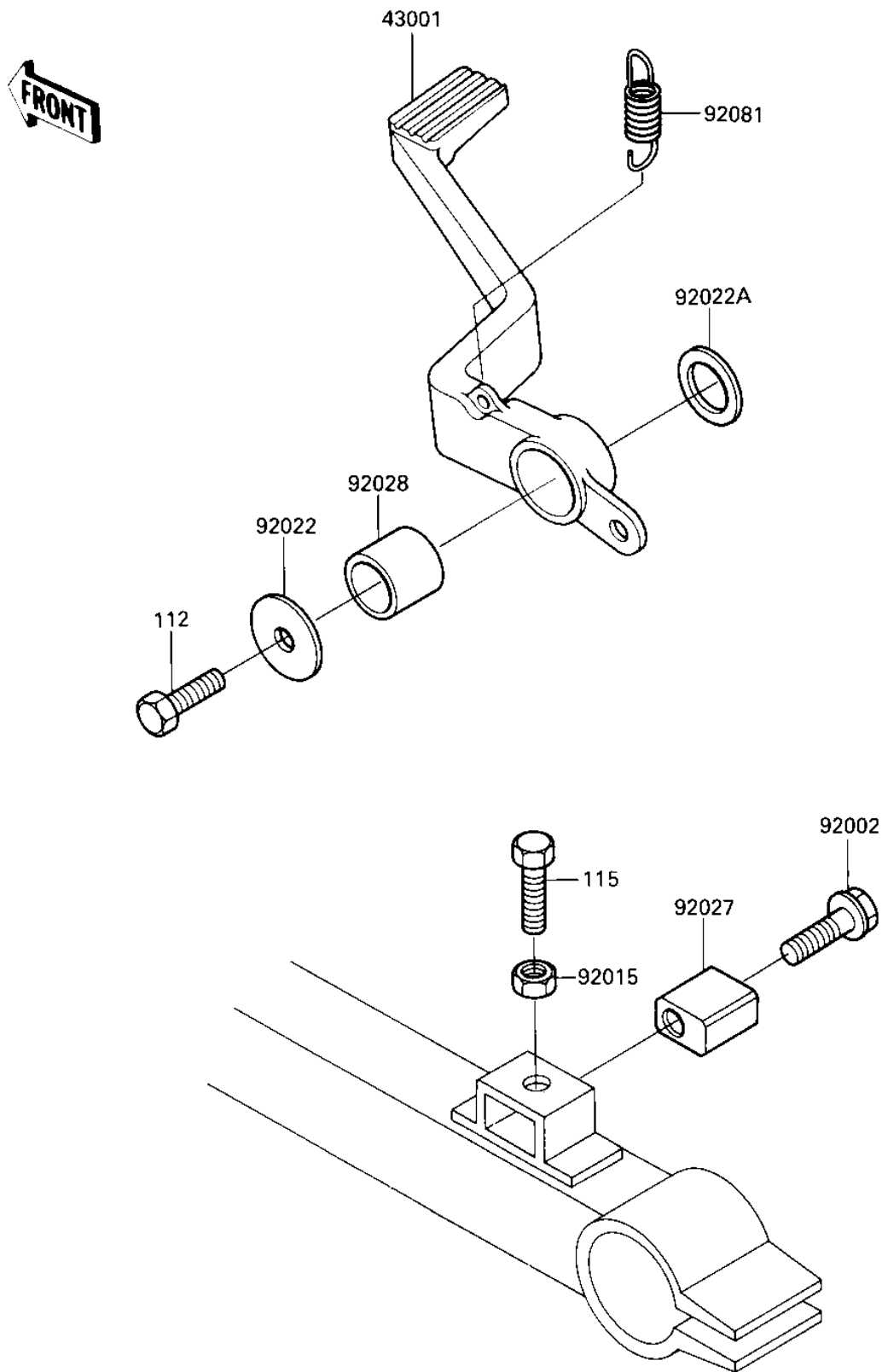


1986 NINJA® ZX™-9R PARTS DIAGRAM

BRAKE PEDAL

F2260-0137



1986 NINJA® ZX™-9R PARTS LIST

BRAKE PEDAL

ITEM NAME	PART NUMBER	QUANTITY
LEVER-BRAKE,PEDAL (Ref # 43001)	43001-1174	1
BOLT (Ref # 92002)	92002-1340	1
NUT,8MM (Ref # 92015)	92015-1364	1
WASHER,7X28X1.6 (Ref # 92022)	92022-1282	1
WASHER,PLAIN (Ref # 92022A)	92022-326	1
COLLAR,RR CALIPER (Ref # 92027)	92027-1730	1
BUSHING,BRAKE PEDAL (Ref # 92028)	92028-1282	1
SPRING,BRAKE PEDAL (Ref # 92081)	92081-1672	1
BOLT-UPSET 6X14 (Ref # 112)	112B0614	1
BOLT-SMALL-UPSET (Ref # 115)	115X0825	1