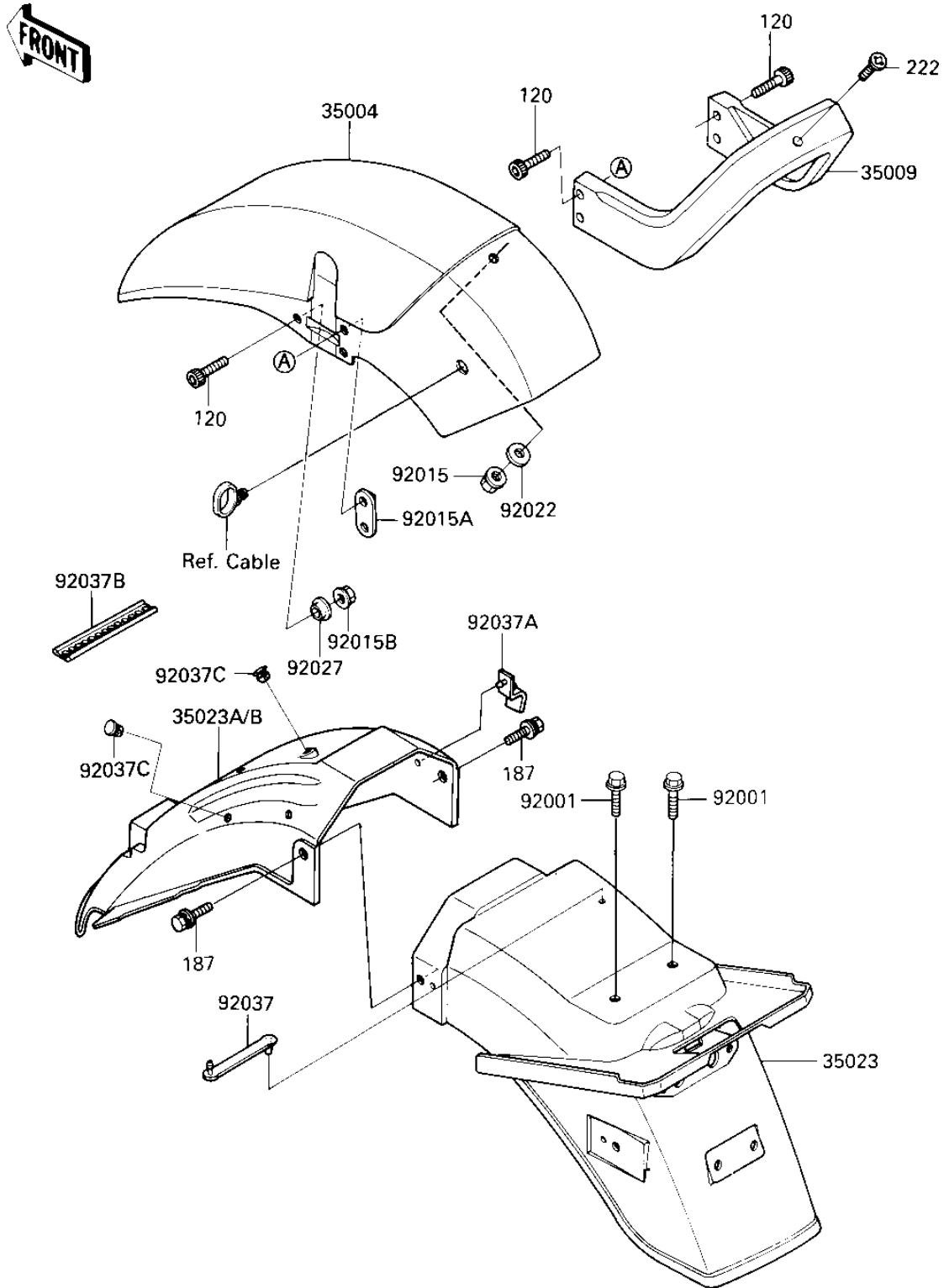


1986 NINJA® ZX™-9R PARTS DIAGRAM

FENDERS

F2170-0272



1986 NINJA® ZX™-9R PARTS LIST

FENDERS

ITEM NAME	PART NUMBER	QUANTITY
FENDER-FRONT,WHITE (Ref # 35004)	35004-1155-R1	1
BRACE,FENDER (Ref # 35009)	35009-1054	1
FENDER-REAR,RR (Ref # 35023)	35023-1324	1
FENDER-REAR,FR (Ref # 35023A)	35023-1122	1
FENDER-REAR,FR (Ref # 35023B)	35023-1326	1
BOLT,6X25 (Ref # 92001)	92001-1870	1
NUT-6MM (Ref # 92015)	92015-1078	1
NUT,FENDER (Ref # 92015A)	92015-1345	1
NUT,6MM (Ref # 92015B)	92015-1365	1
WASHER 6.5X20X1.6T (Ref # 92022)	92022-125	1
COLLAR,BRAKE PEDAL (Ref # 92027)	92027-1168	1
CLAMP (Ref # 92037)	92037-1163	1
CLAMP,HARNESS (Ref # 92037A)	92037-1532	1
CLAMP (Ref # 92037B)	92037-1578	1
CLAMP (Ref # 92037C)	92037-1579	1
BOLT,SOCKET,6X30 (Ref # 120)	120P0630	1
BOLT-UPSET-WSP (Ref # 187)	187B0622	1
SCREW OVL CNTSNK 6X20 (Ref # 222)	222B0620	1