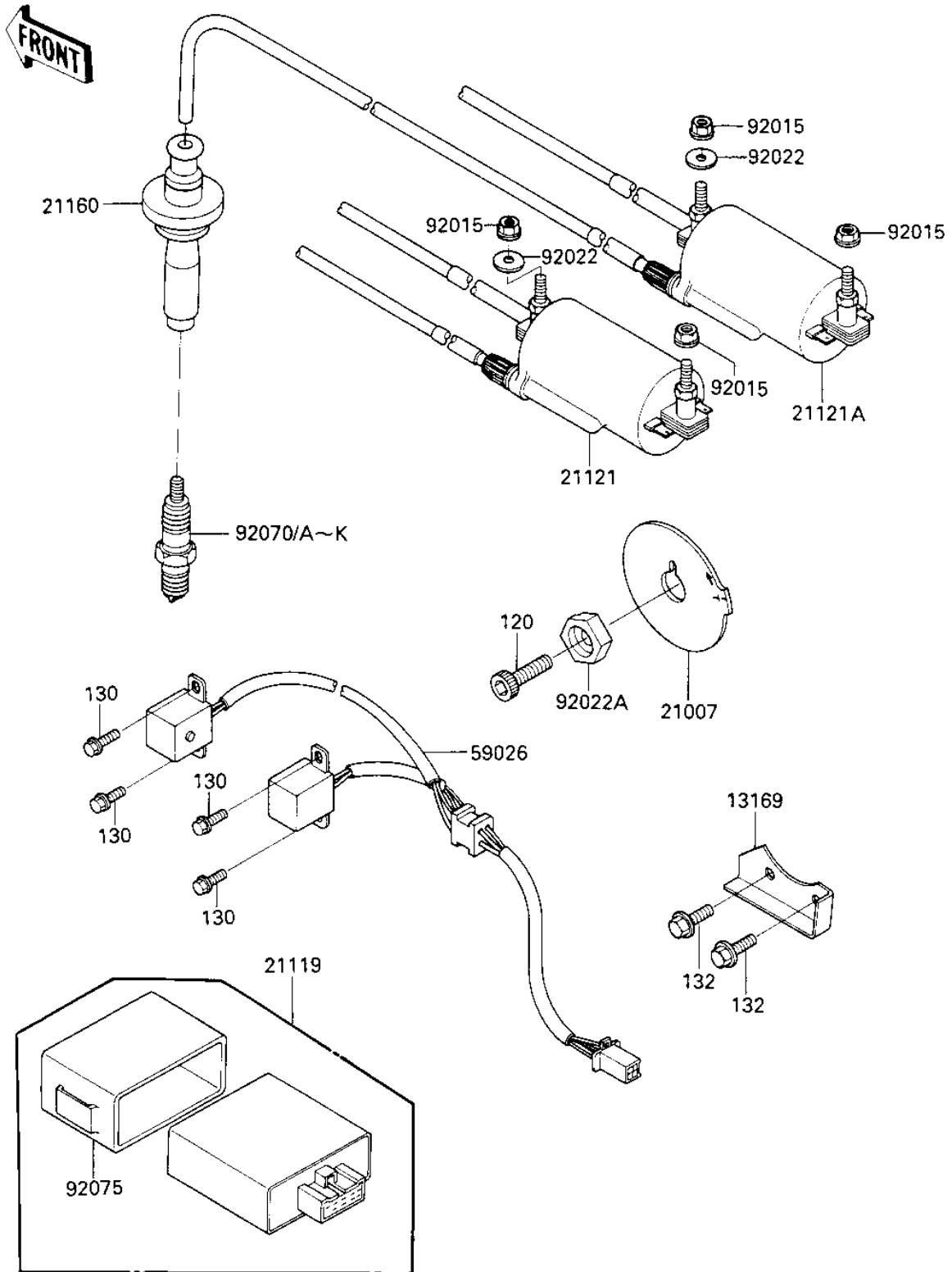


## 1986 NINJA® ZX™-9R PARTS DIAGRAM

IGNITION

E1830-0207



## 1986 NINJA® ZX™-9R PARTS LIST

### IGNITION

ITEM NAME	PART NUMBER	QUANTITY
PLATE,CHAIN GUIDE (Ref # 13169)	13169-1748	1
ROTOR,PULSING COIL (Ref # 21007)	21007-1109	1
IGNITER (Ref # 21119)	21119-1110	1
COIL-IGNITION,#1&#4 (Ref # 21121)	21121-1110	1
COIL-IGNITION,#2&#3 (Ref # 21121A)	21121-1111	1
CAP-ASSY-PLUG (Ref # 21160)	21160-1065	1
COIL-PULSING (Ref # 59026)	59026-1061	1
NUT-6MM (Ref # 92015)	92015-1078	1
WASHER PLAIN (Ref # 92022)	92022-024	1
WASHER,ROTOR (Ref # 92022A)	92200-1173	1
SPARK PLUG D8EA (Ref # 92070A)	D8EA	1
SPARK PLUG D7EA (Ref # 92070C)	D7EA	1
SPARK PLUG DR8ES (Canada) (Ref # 92070D)	92070-1019	1
UNAVAILABLE IN PRICE BOOK (Ref # 92070F)	92070-1034	1
SPARK PLUG DR7ES (Canada) (Ref # 92070I)	92070-1113	1
SPARK PLUG DR8ES-L (Canada) (Ref # 92070J)	92070-1116	1
DAMPER,IGNITER (Ref # 92075)	92075-1592	1
BOLT,SOCKET,8X25 (Ref # 120)	120P0825	1
BOLT-FLANGED (Ref # 130)	130G0512	1
BOLT-FLANGED-SMALL (Ref # 132)	132G0612	1