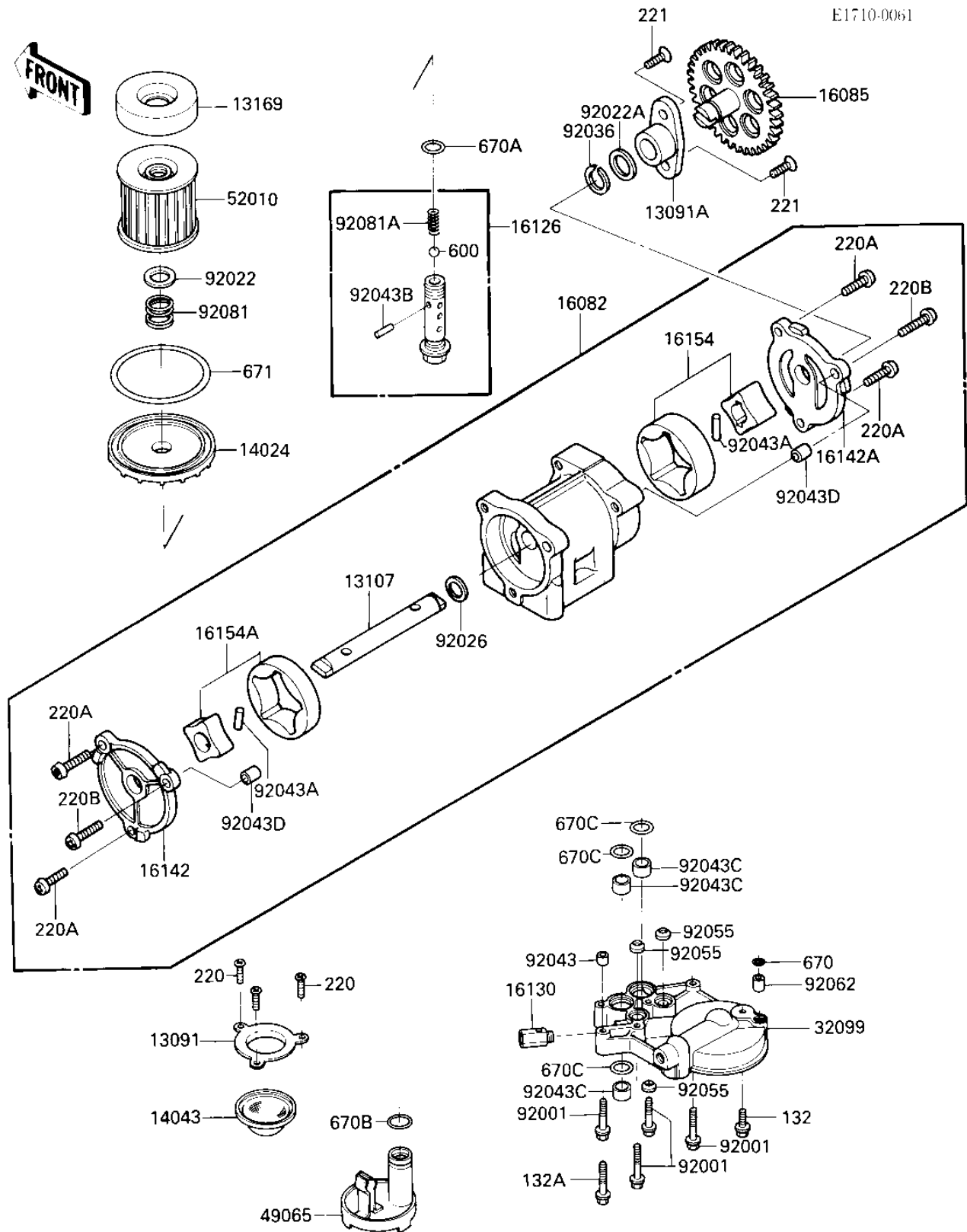


## 1986 NINJA® ZX™-9R PARTS DIAGRAM

OIL PUMP/OIL FILTER



## 1986 NINJA® ZX™-9R PARTS LIST

### OIL PUMP/OIL FILTER

ITEM NAME	PART NUMBER	QUANTITY
HOLDER,OIL FILTER (Ref # 13091)	13091-1274	1
HOLDER,PUMP GEAR (Ref # 13091A)	13091-1333	1
SHAFT,OIL PUMP (Ref # 13107)	13107-1105	1
PLATE,OIL FILTER (Ref # 13169)	13169-1313	1
COVER,OIL FILTER,F.BL (Ref # 14024)	14025-1422	1
STRAINER,OIL (Ref # 14043)	16111-003	1
PUMP-ASSY-OIL (Ref # 16082)	16082-1060	1
GEAR,OIL PUMP,35T (Ref # 16085)	16085-1103	1
VALVE,OIL FILTER (Ref # 16126)	16126-1108	1
RELEAF VALVE ASSY (Ref # 16130)	16130-1001	1
COVER-PUMP,LH (Ref # 16142)	16142-1052	1
COVER-PUMP,RH (Ref # 16142A)	16142-1054	1
ROTOR ASSY,OIL PUMP (Ref # 16154)	16154-1007	1
ROTOR-PUMP (Ref # 16154A)	16154-1053	1
CASE,OIL FILTER (Ref # 32099)	32099-1083	1
FILTER-OIL (Ref # 49065)	49065-1066	1
FILTER,OIL (Ref # 52010)	16099-003	1
BOLT,FLANGED,6X38 (Ref # 92001)	92001-1105	1
WASHER,20.5X30X1.0 (Ref # 92022)	92022-1012	1
WASHER,14X20X1 (Ref # 92022A)	92022-1495	1
SPACER,OIL PUMP (Ref # 92026)	92026-1230	1
RING-SNAP,PUMP GEAR (Ref # 92036)	92036-1052	1
PIN-DOWEL (Ref # 92043)	92042-007	1
PIN,DOWEL 5X17.8 (Ref # 92043A)	92043-1061	1
SPRING PIN (Ref # 92043B)	92043-111	1
PIN,18X20X12 (Ref # 92043C)	92043-1213	1
PIN,DOWEL,8X10 (Ref # 92043D)	92043-1302	1
"O" RING (Ref # 92055)	92055-077	1
NOZZLE (Ref # 92062)	92062-1055	1

## 1986 NINJA® ZX™-9R PARTS LIST

OIL PUMP/OIL FILTER

ITEM NAME	PART NUMBER	QUANTITY
SPRING,OIL FILTER (Ref # 92081)	92081-1018	1
SPRING (Ref # 92081A)	92081-109	1
BOLT-FLANGED-SMALL (Ref # 132)	132G0616	1
BOLT-FLANGED-SMALL (Ref # 132A)	132G0645	1
SCREW PAN HEAD 6X12 (Ref # 220)	220B0612	1
SCREW PAN HEAD 6X14 (Ref # 220A)	220B0614	1
SCREW PAN HEAD 6X20 (Ref # 220B)	220B0620	1
SCREW CNTSNK HD 6X16 (Ref # 221)	221B0616	1
BALL STEEL 3/8" (Ref # 600)	600A1200	1
"O" RING,8MM (Ref # 670)	670B1508	1
"O" RING,16MM (Ref # 670A)	670B2016	1
"O" RING,18MM (Ref # 670B)	670B2018	1
O RING (Ref # 670C)	670D2020	1
"O" RING,90MM (Ref # 671)	671B2590	1