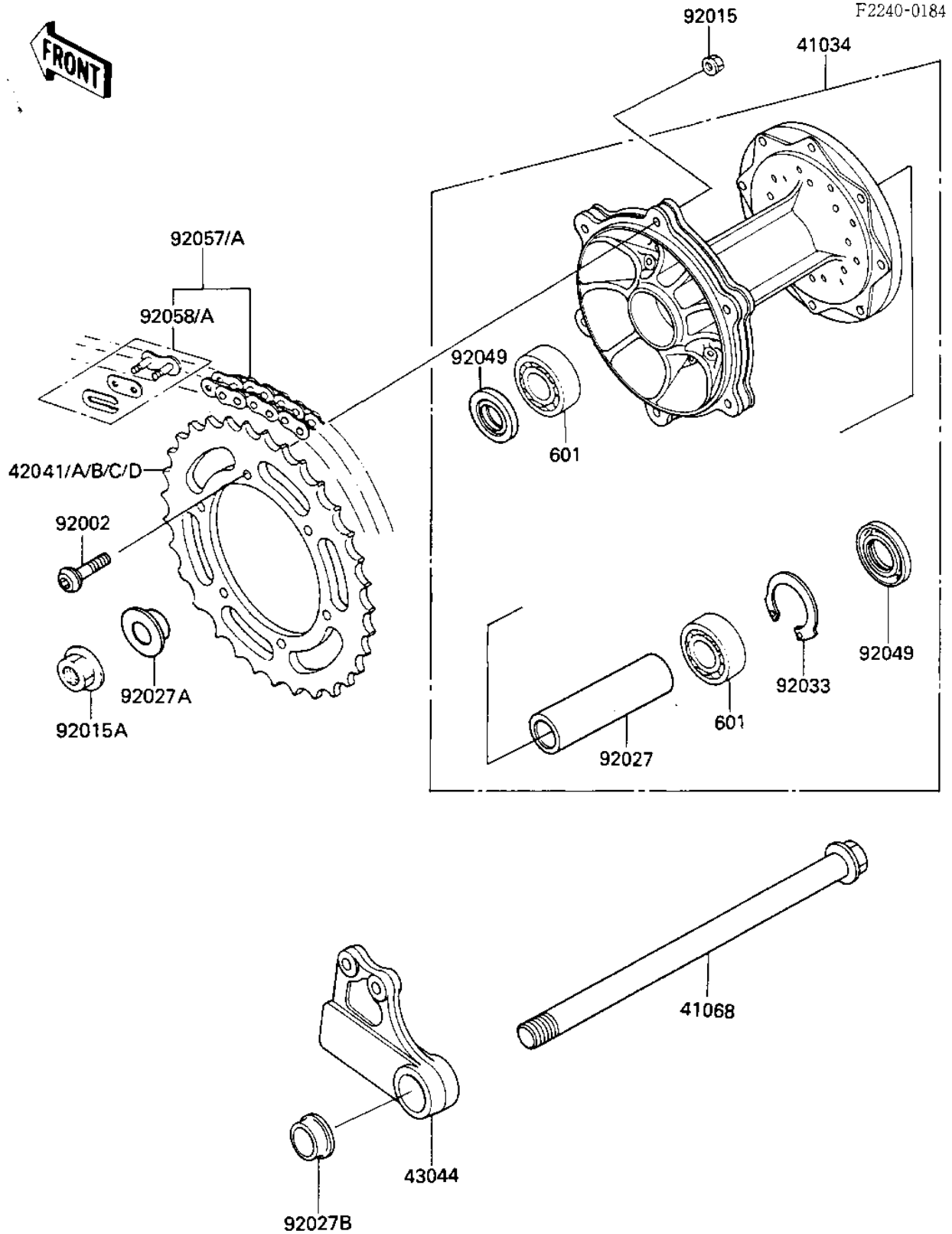


1986 KX™500 PARTS DIAGRAM

REAR HUB/CHAIN



1986 KX™500 PARTS LIST

REAR HUB/CHAIN

ITEM NAME	PART NUMBER	QUANTITY
DRUM-ASSY,REAR BRAKE (Ref # 41034)	41034-1139	1
AXLE,RR (Ref # 41068)	41068-1180	1
SPROCKET-HUB,50T,AL (Ref # 42041)	42041-1255	1
SPROCKET-HUB,48T (Ref # 42041A)	42041-1103	1
SPROCKET-HUB,49T,AL (Ref # 42041B)	42041-1256	1
SPROCKET-HUB,46T,AL (Ref # 42041C)	42041-1193	1
SPROCKET-HUB,47T,AL (Ref # 42041D)	42041-1258	1
HOLDER-COMP-CALIPER (Ref # 43044)	43044-1061	1
BOLT,8MM (Ref # 92002)	92002-1387	1
NUT-8MM (Ref # 92015)	92015-1143	1
NUT,RR AXLE,20MM (Ref # 92015A)	92015-1461	1
COLLAR,20.2X25.4X120 (Ref # 92027)	92027-1942	1
COLLAR,L=18 (Ref # 92027A)	92027-1943	1
COLLAR,L=13 (Ref # 92027B)	92027-1944	1
CIRCLIP,42MM (Ref # 92033)	92033-1041	1
SEAL-OIL,BJNC2 25425 (Ref # 92049)	92049-1203	1
CHAIN,D1D520K 116L (Ref # 92057)	92057-1079	1
DR.CHAIN,DID520DS5114 (Ref # 92057A)	92057-1202	1
JOINT,DRIVE CHAIN (Ref # 92058)	92058-1013	1
JOINT-CHAIN (Ref # 92058A)	92058-1051	1
UNAVAILABLE IN PRICE BOOK (Ref # 601)	601B60040	1