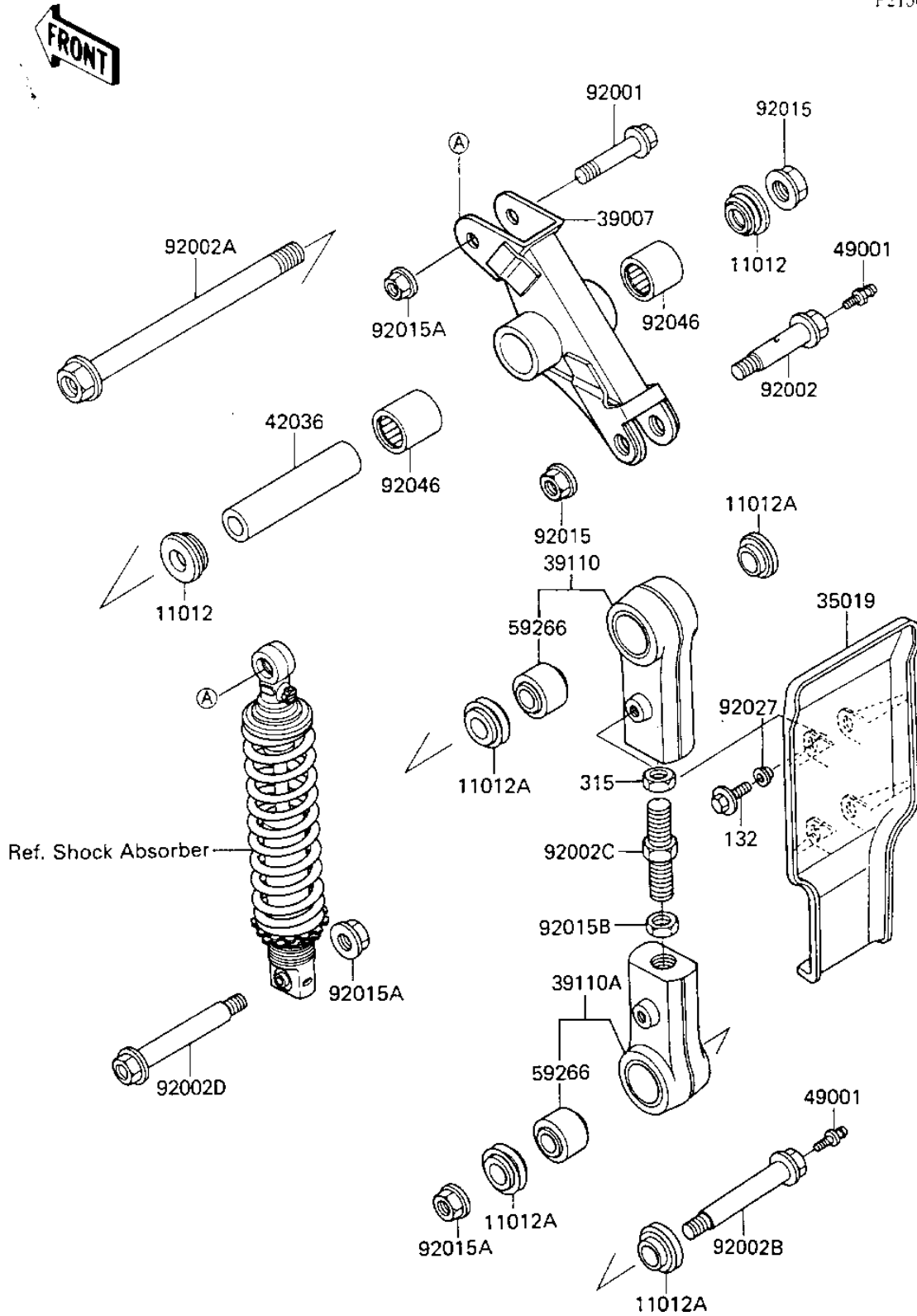


1986 KX™500 PARTS DIAGRAM

REAR SUSPENSION

F2150-0063



1986 KX™500 PARTS LIST

REAR SUSPENSION

ITEM NAME	PART NUMBER	QUANTITY
CAP,SWING ARM (Ref # 11012)	11012-1207	1
CAP,ROD (Ref # 11012A)	11012-1418	1
FLAP,ROD (Ref # 35019)	35019-1166	1
ARM-SUSP,UNI TRAK (Ref # 39007)	39007-1081	1
ROD-ASSY-TIE (Ref # 39110)	39110-1067	1
ROD-ASSY-TIE (Ref # 39110A)	39110-1068	1
SLEEVE,SUSPENSION ARM (Ref # 42036)	42036-1144	1
NIPPLE-GREASE,ROD BOL (Ref # 49001)	49001-1051	1
JOINT-BALL,ROD (Ref # 59266)	59266-1056	1
BOLT,FLANGED,10X48 (Ref # 92001)	92001-1962	1
BOLT,FLANGED,14X57 (Ref # 92002)	92002-1390	1
BOLT,14X122 (Ref # 92002A)	92002-1396	1
BOLT,ROD,10X65 (Ref # 92002B)	92002-1397	1
BOLT,ROD (Ref # 92002C)	92002-1632	1
BOLT,10MM (Ref # 92002D)	92002-1680	1
NUT,14MM (Ref # 92015)	92015-1407	1
NUT,10MM (Ref # 92015A)	92015-1415	1
NUT,16MM (Ref # 92015B)	92015-1548	1
COLLAR,FRONT FENDER (Ref # 92027)	92027-1936	1
BEARING-NEEDLE,TA2030 (Ref # 92046)	92046-1128	1
BOLT-FLANGED-SMALL (Ref # 132)	132G0612	1
NUT-HEX-FINE (Ref # 315)	315G1600	1