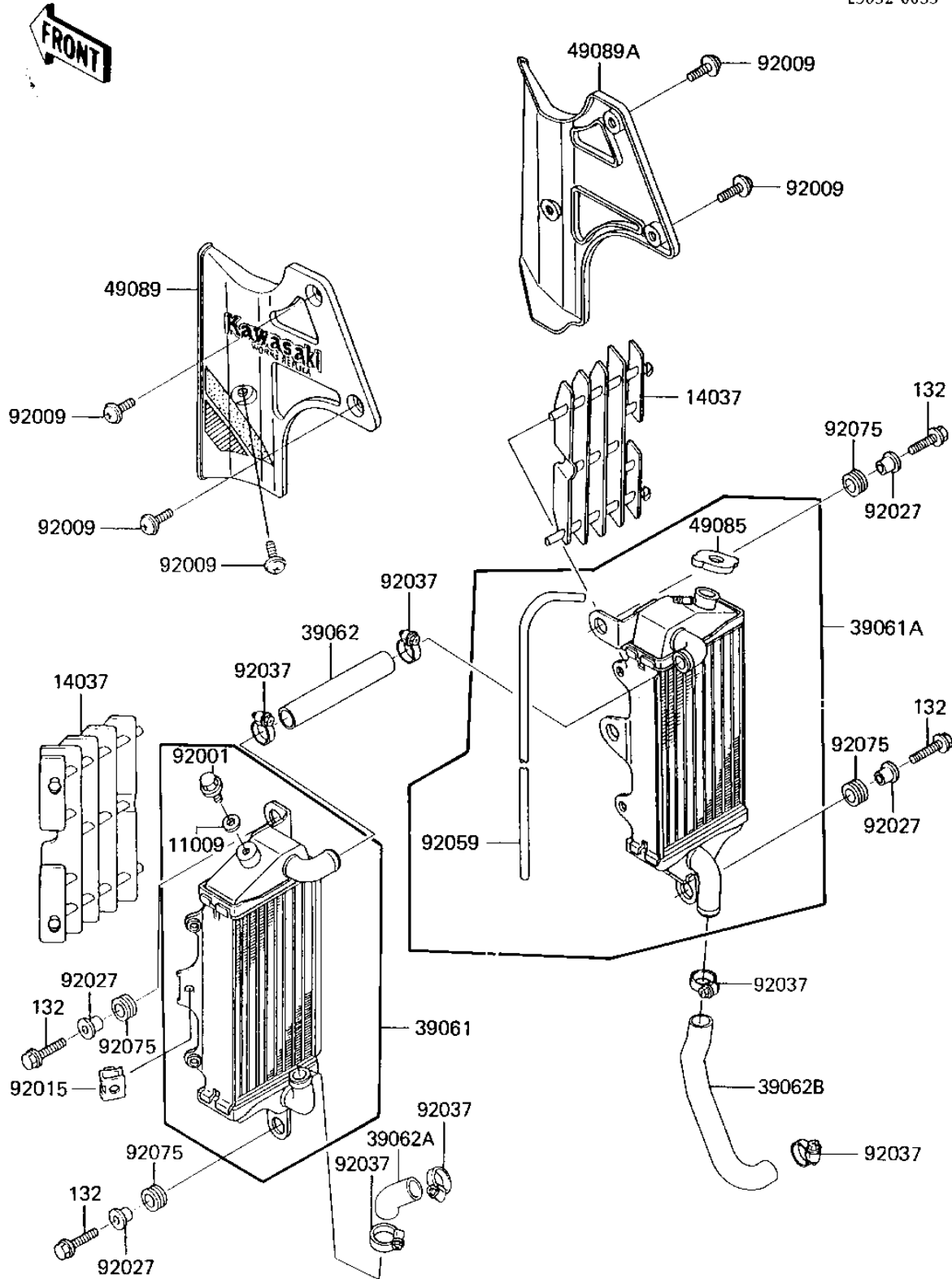


1986 KX™500 PARTS DIAGRAM

RADIATORS

E3032-0035



1986 KX™500 PARTS LIST

RADIATORS

ITEM NAME	PART NUMBER	QUANTITY
GASKET,DRAIN PLUG (Ref # 11009)	11009-1152	1
SCREEN,RADIATOR,EBONY (Ref # 14037)	14037-1077-6C	1
RADIATOR-ASSY,LH (Ref # 39061)	39061-1066	1
RADIATOR-ASSY,RH (Ref # 39061A)	39061-1067	1
HOSE-COOLING,RADIATOR (Ref # 39062)	39062-1096	1
HOSE-COOLING,RADIATOR (Ref # 39062A)	39062-1138	1
HOSE-COOLING,RADIATOR (Ref # 39062B)	39062-1139	1
CAP-ASSY-PRESSURE (Ref # 49085)	49085-1003	1
SHROUD-ENGINE,LH,L.GR (Ref # 49089)	49089-5009-6W	1
SHROUD-ENGINE,RH,L.GR (Ref # 49089A)	49089-5010-6W	1
BOLT,RADIATOR DRAIN (Ref # 92001)	92002-1682	1
SCREW,6X10 (Ref # 92009)	92009-1286	1
NUT (Ref # 92015)	92015-1487	1
COLLAR (Ref # 92027)	92027-194	1
CLAMP,COOLING HOSE (Ref # 92037)	92037-1589	1
TUBE,5X9X800 (Ref # 92059)	92059-1383	1
DAMPER RUBBER,RR FENR (Ref # 92075)	92075-209	1
BOLT-FLANGED-SMALL (Ref # 132)	132G0620	1