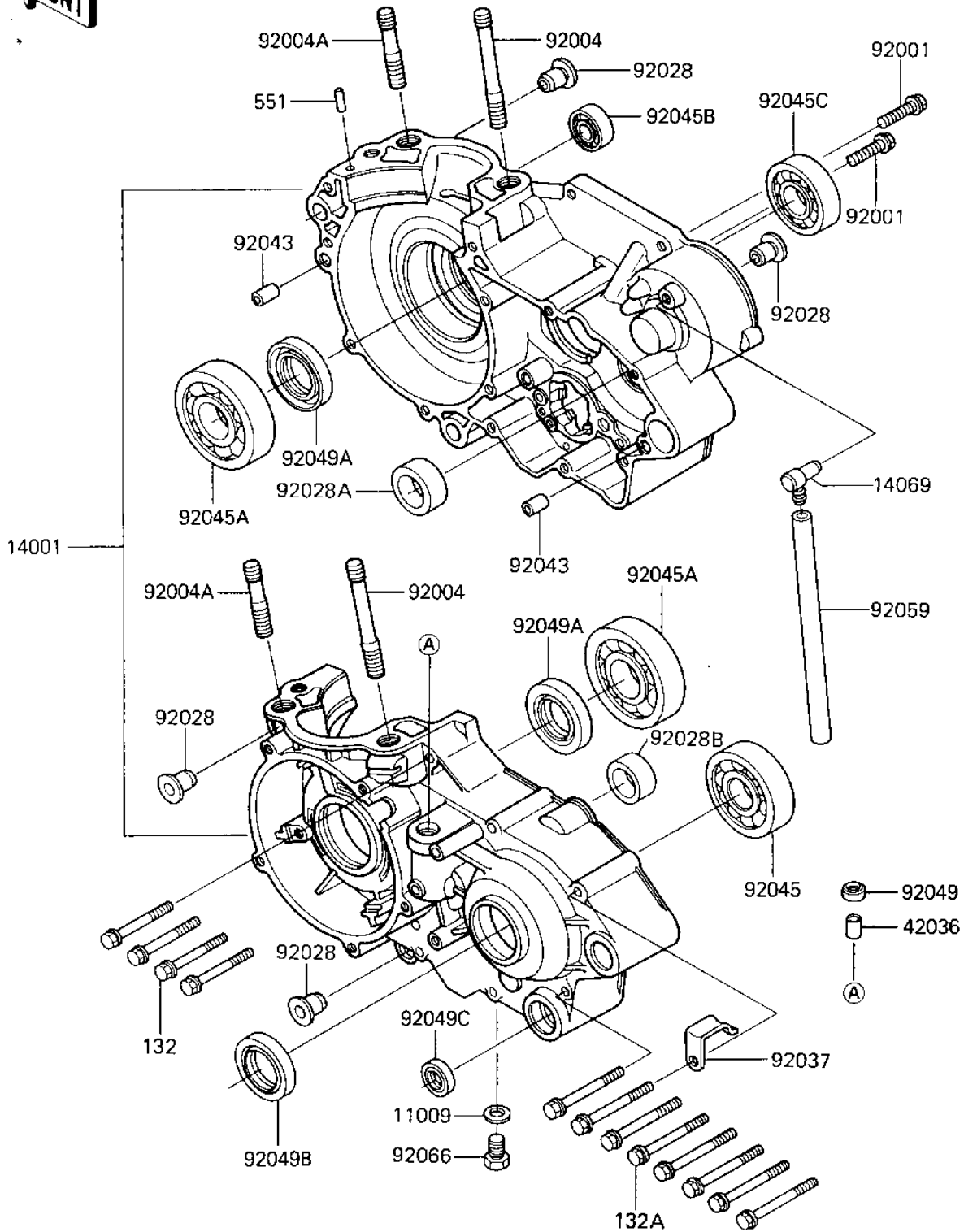


1986 KX™500 PARTS DIAGRAM

CRANKCASE

E1411-0147



1986 KX™500 PARTS LIST

CRANKCASE

| ITEM NAME | PART NUMBER | QUANTITY |
|--------------------------------------|-------------|----------|
| GASKET CHECK VALVE (Ref # 11009) | 92065-058 | 1 |
| SET-CRANKCASE (Ref # 14001) | 14001-5207 | 1 |
| BREATHER (Ref # 14069) | 14069-003 | 1 |
| SLEEVE (Ref # 42036) | 42036-1177 | 1 |
| BOLT,CLUTCH SPR FITT (Ref # 92001) | 92001-1066 | 1 |
| STUD,10X67 (Ref # 92004) | 92004-1052 | 1 |
| STUD,10X45 (Ref # 92004A) | 92004-1160 | 1 |
| BUSHING,CRANKCASE (Ref # 92028) | 92028-1133 | 1 |
| BUSHING (Ref # 92028A) | 92028-131 | 1 |
| BUSHING (Ref # 92028B) | 92028-132 | 1 |
| CLAMP,HARNESS (Ref # 92037) | 92037-1318 | 1 |
| PIN-DOWEL (Ref # 92043) | 92042-007 | 1 |
| BEARING,BALL,#6305 (Ref # 92045) | 92045-1011 | 1 |
| BEARING,B,6306SH2-9TC (Ref # 92045A) | 92045-1027 | 1 |
| BEARING-BALL (Ref # 92045B) | 92045-1212 | 1 |
| BEARING-BALL,63/22T2C (Ref # 92045C) | 92045-1134 | 1 |
| OIL SEAL SB12205 (Ref # 92049) | 92049-004 | 1 |
| OIL SEAL,TB30508 (Ref # 92049A) | 92050-057 | 1 |
| SEAL-OIL,TC32457 (Ref # 92049B) | 92049-1159 | 1 |
| OIL SEAL,TB13225.5 (Ref # 92049C) | 92051-005 | 1 |
| PIPE-BREATHER (Ref # 92059) | 92059-061 | 1 |
| PLUG (Ref # 92066) | 92066-1241 | 1 |
| BOLT-FLANGED-SMALL (Ref # 132) | 132G0650 | 1 |
| BOLT-FLANGED-SMALL (Ref # 132A) | 132G0660 | 1 |
| PIN-DOWEL (Ref # 551) | 551A0412 | 1 |