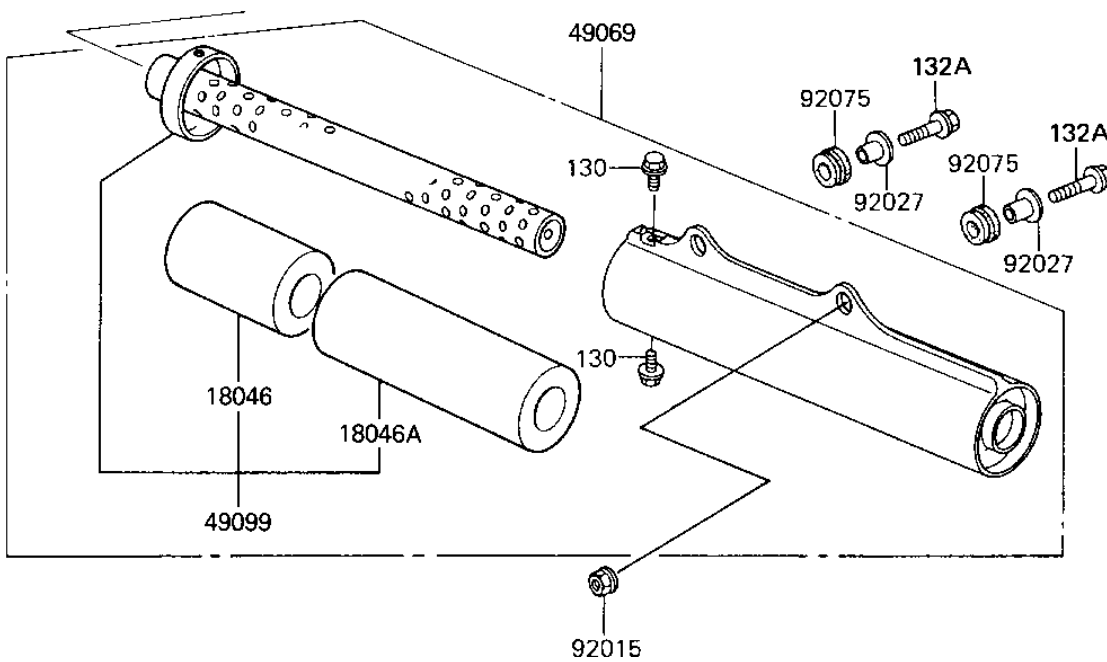
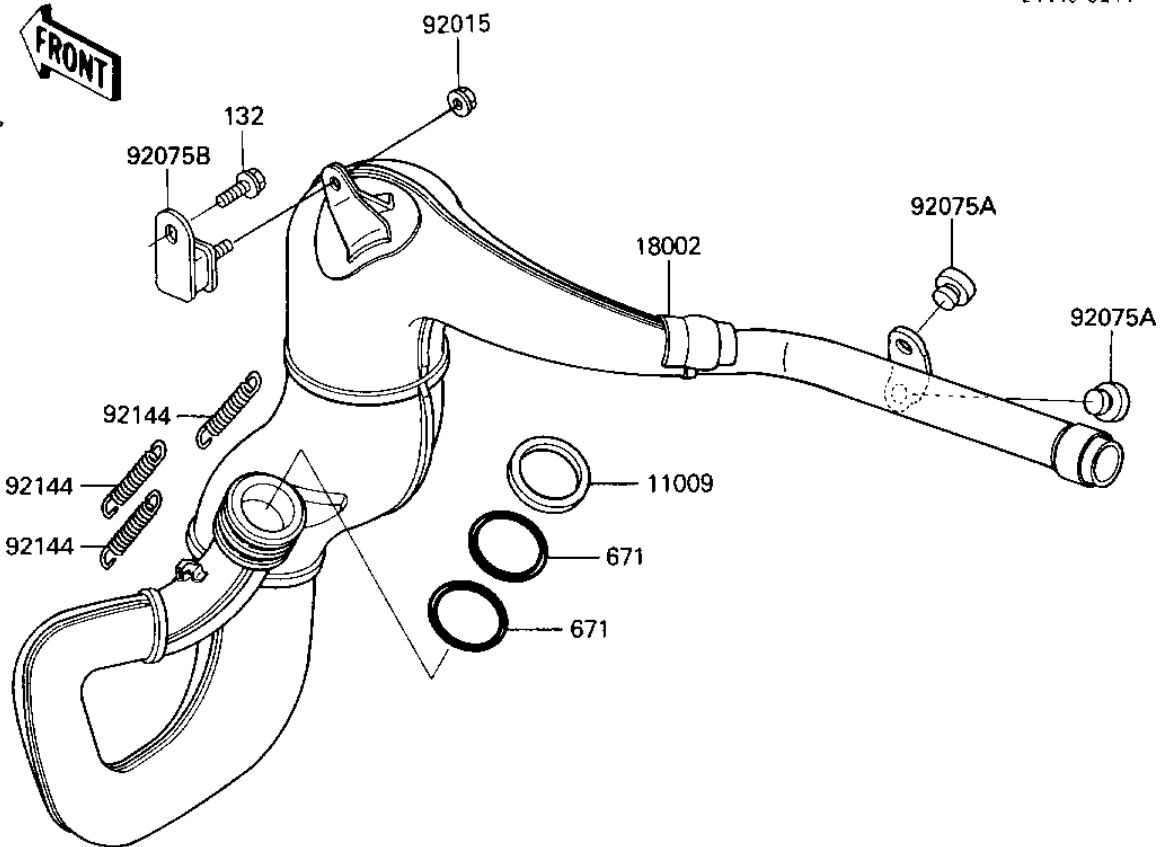


## 1986 KX™500 PARTS DIAGRAM

MUFFLER

E1140-0244



## 1986 KX™500 PARTS LIST

### MUFFLER

ITEM NAME	PART NUMBER	QUANTITY
GASKET,EXHAUST PIPE (Ref # 11009)	11009-1253	1
BODY-COMP-MUFFLER (Ref # 18002)	18002-1615	1
WOOL,L=143 (Ref # 18046)	18046-1071	1
WOOL,L=200 (Ref # 18046A)	18046-1073	1
MUFFLER-ASSY (Ref # 49069)	49069-1069	1
BAFFLE-PIPE MUFFLER (Ref # 49099)	49099-1201	1
NUT-6MM (Ref # 92015)	92015-1078	1
COLLAR (Ref # 92027)	92027-194	1
DAMPER, HEAD LMP FITT (Ref # 92075)	92075-1123	1
DAMPER,SIDE COVER (Ref # 92075A)	92075-1598	1
DAMPER,MUFFLER (Ref # 92075B)	92075-1891	1
SPRING (Ref # 92144)	92144-1035	1
BOLT-FLANGED (Ref # 130)	130G0508	1
BOLT-FLANGED-SMALL (Ref # 132)	132G0612	1
BOLT-FLANGED-SMALL (Ref # 132A)	132G0625	1
O RING,50MM (Ref # 671)	671E2550	1