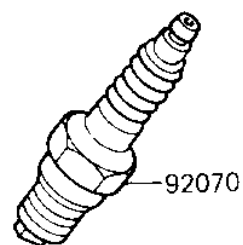
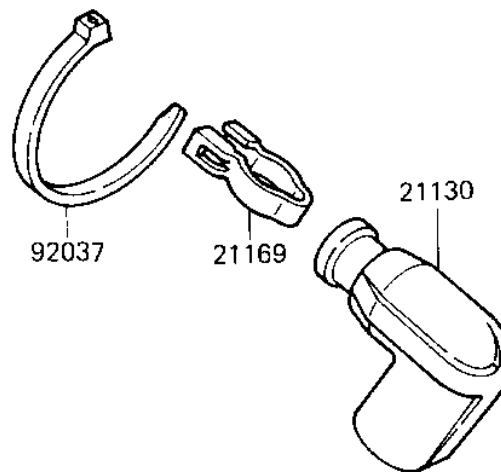
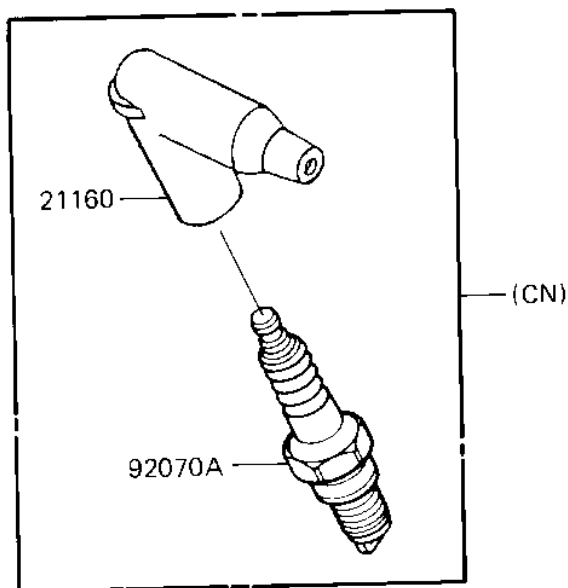
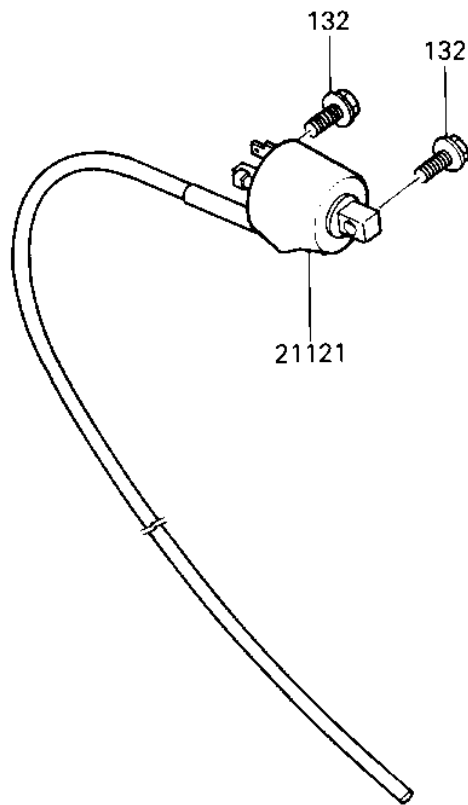


1986 KX™250 PARTS DIAGRAM

IGNITION COIL

E1830-0240



1986 KX™250 PARTS LIST

IGNITION COIL

ITEM NAME	PART NUMBER	QUANTITY
COIL-IGNITION (Ref # 21121)	21121-1170	1
CAP,SPARK PLUG (Ref # 21130)	21130-1006	1
CAP ASSY,SPARK PLUG (Ref # 21160)	21160-1009	1
TERMINAL,PLUG CAP (Ref # 21169)	21169-001	1
CLAMP,SPARK PLUG CAP (Ref # 92037)	92037-1173	1
SPARK PLUG B9EG (Ref # 92070)	B9EG	1
*** N.L.A. *** (Canada) (Ref # 92070A)	92070-1063	1
BOLT-FLANGED-SMALL (Ref # 132)	132G0616	1