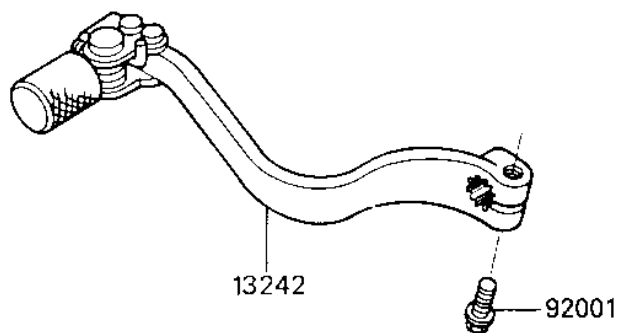
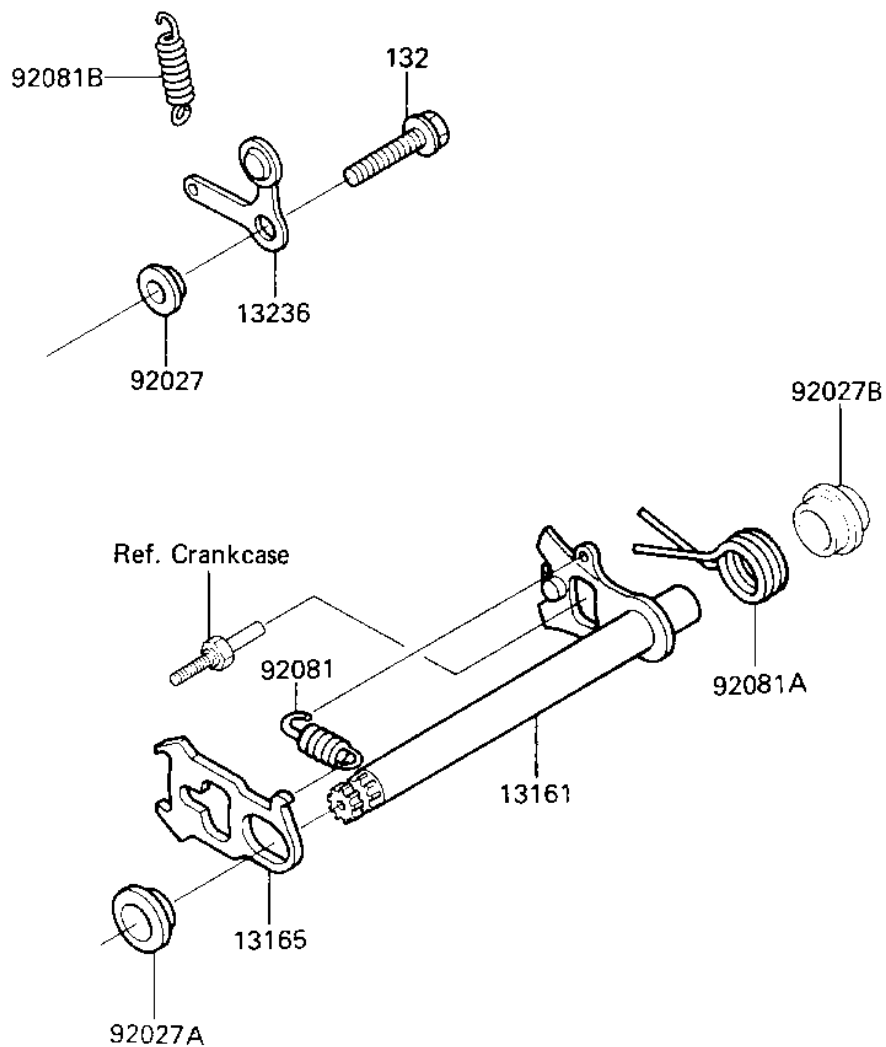


1986 KX™250 PARTS DIAGRAM

GEAR CHANGE MECHANISM

E1370-0125



1986 KX™250 PARTS LIST

GEAR CHANGE MECHANISM

ITEM NAME	PART NUMBER	QUANTITY
LEVER-COMP-CHANGE SH (Ref # 13161)	13161-1109	1
PAWL,CHANGE LEVER (Ref # 13165)	13165-1119	1
LEVER,CHANGE DRUM (Ref # 13236)	13236-1021	1
LEVER-ASSY-CHANGE,PE (Ref # 13242)	13242-1166	1
BOLT,FLANGED,6X22 (Ref # 92001)	92001-1352	1
COLLAR (Ref # 92027)	92027-1248	1
COLLAR,CHANGE SHAFT, (Ref # 92027A)	92027-1512	1
COLLAR,RETURN SPRING (Ref # 92027B)	92027-1682	1
SPRING-CHANGE LEVER (Ref # 92081)	92081-076	1
SPRING,CHANGE SHAFT (Ref # 92081A)	92081-1716	1
SPRING,CHNG DRUM LEV (Ref # 92081B)	92083-012	1
BOLT-FLANGED-SMALL (Ref # 132)	132G0616	1