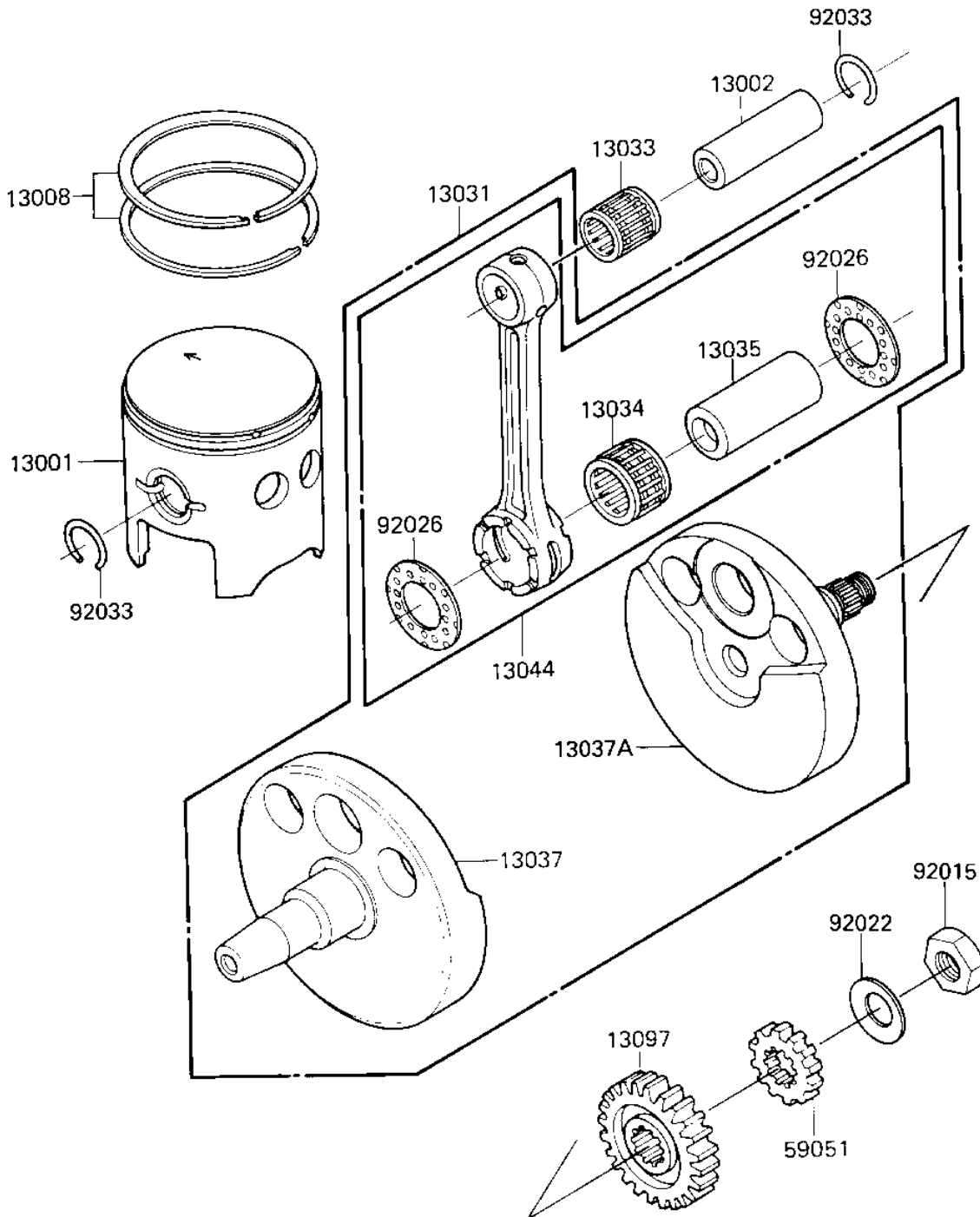


## 1986 KX™250 PARTS DIAGRAM

CRANKSHAFT/PISTON

E1320-0033



## 1986 KX™250 PARTS LIST

### CRANKSHAFT/PISTON

ITEM NAME	PART NUMBER	QUANTITY
PISTON,STD (Ref # 13001)	13001-1039	1
PIN-PISTON (Ref # 13002)	13002-017	1
RING-SET-PISTON (Ref # 13008)	13008-5068	1
CRANKSHAFT-COMP (Ref # 13031)	13031-1223	1
BEARING-SMALL END (Ref # 13033)	13033-1010	1
BEARING-BIG END (Ref # 13034)	13034-1076	1
PIN,CRANK (Ref # 13035)	13035-034	1
CRANKSHAFT (Ref # 13037)	13037-1097	1
CRANKSHAFT,RH (Ref # 13037A)	13037-1275	1
SET-CONNECTING ROD (Ref # 13044)	13044-5056	1
GEAR-PRIMARY SPUR,20 (Ref # 13097)	13097-1070	1
GEAR-SPUR,WATER PUMP (Ref # 59051)	59051-1049	1
NUT,16MM (Ref # 92015)	92015-1176	1
WASHER,16.3X29X1.75 (Ref # 92022)	92022-1356	1
SPACER (Ref # 92026)	92026-1241	1
CIRCLIP-PISTON PIN (Ref # 92033)	92036-015	1