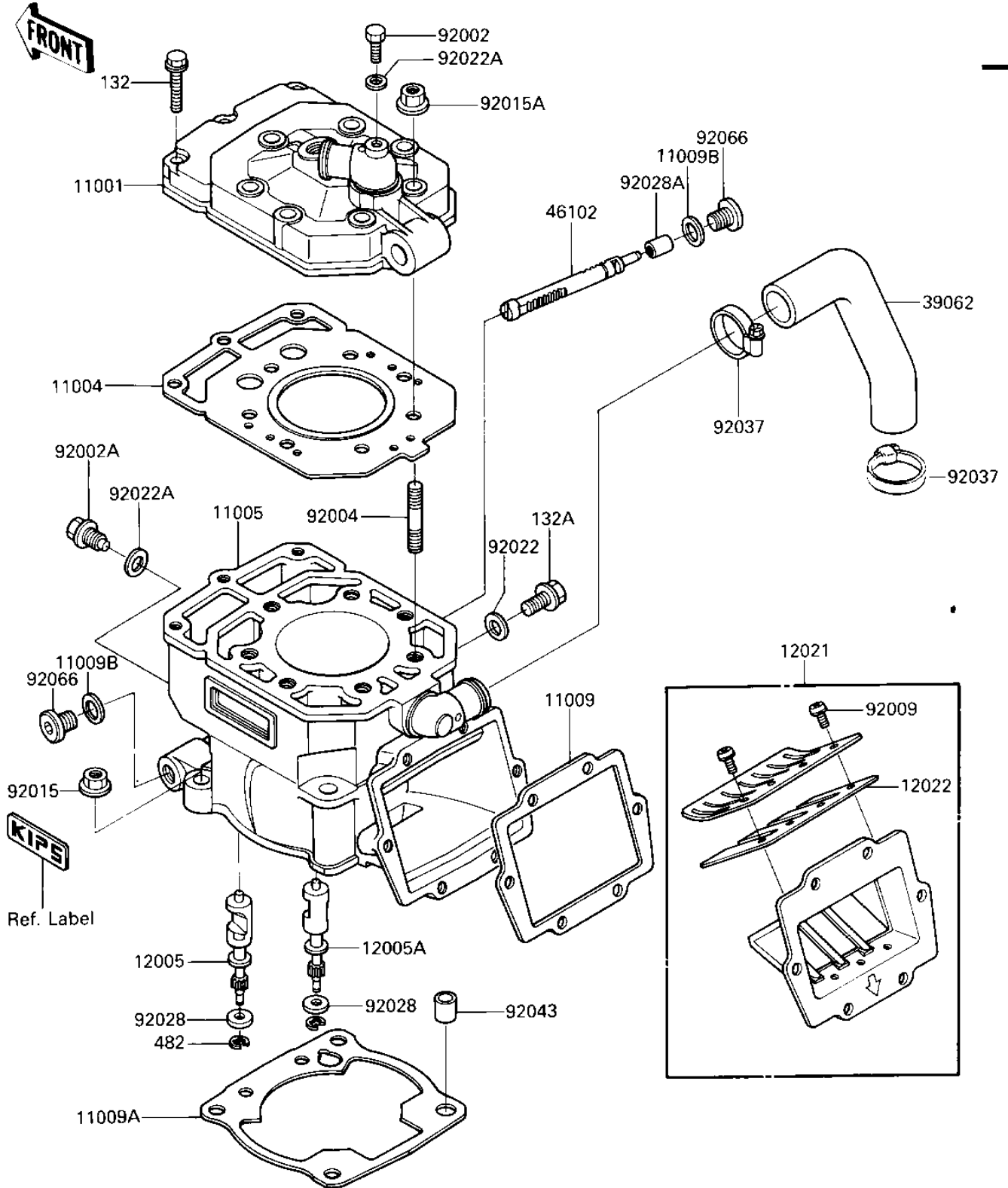


1986 KX™250 PARTS DIAGRAM

CYLINDER HEAD/CYLINDER/REED VALVE

E1110-0926



1986 KX™250 PARTS LIST

CYLINDER HEAD/CYLINDER/REED VALVE

ITEM NAME	PART NUMBER	QUANTITY
HEAD-CYLINDER (Ref # 11001)	11001-1216	1
GASKET-HEAD,CYLINDER (Ref # 11004)	11004-1126	1
CYLINDER-ENGINE (Ref # 11005)	11005-1471	1
GASKET,REED VALVE (Ref # 11009)	11009-1950	1
GASKET,CYLINDER BASE (Ref # 11009A)	11009-1546	1
GASKET-DRAIN PLUG (Ref # 11009B)	92065-073	1
VALVE-EXHAUST,LH (Ref # 12005)	12005-1069	1
VALVE-EXHAUST,RH (Ref # 12005A)	12005-1070	1
VALVE-ASSY-REED (Ref # 12021)	12021-1061	1
VALVE-REED (Ref # 12022)	12022-1056	1
HOSE-COOLING (Ref # 39062)	39062-1105	1
ROD,GOVERNOR (Ref # 46102)	46102-1156	1
BOLT,6X10 (Ref # 92002)	92002-1222	1
BOLT (Ref # 92002A)	92002-1357	1
STUD (Ref # 92004)	92004-1210	1
SCREW,3X6 (Ref # 92009)	92009-1371	1
NUT,10MM (Ref # 92015)	92015-1415	1
NUT-8MM (Ref # 92015A)	92015-1143	1
WASHER,8.2X14X1 (Ref # 92022)	92022-1488	1
WASHER,PLAIN (Ref # 92022A)	92022-304	1
BUSHING,6X18X5 (Ref # 92028)	92028-1389	1
BUSHING,5.6X10X14 (Ref # 92028A)	92028-1413	1
CLAMP,COOLING HOSE (Ref # 92037)	92037-1589	1
PIN,11X14X12.3 (Ref # 92043)	92043-1266	1
PLUG,12X10 (Ref # 92066)	92066-1222	1
BOLT-FLANGED-SMALL (Ref # 132)	132G0625	1
BOLT-FLANGED-SMALL (Ref # 132A)	132G0810	1
CIRCLIP-TYPE-E (Ref # 482)	482J5000	1