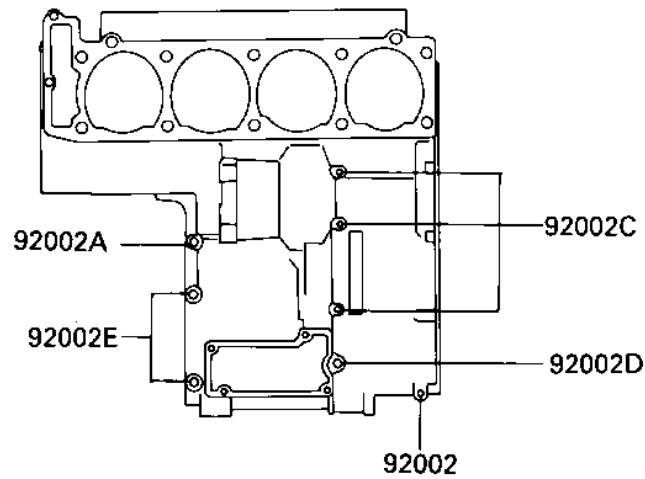


## 1986 NINJA® 1000R PARTS DIAGRAM

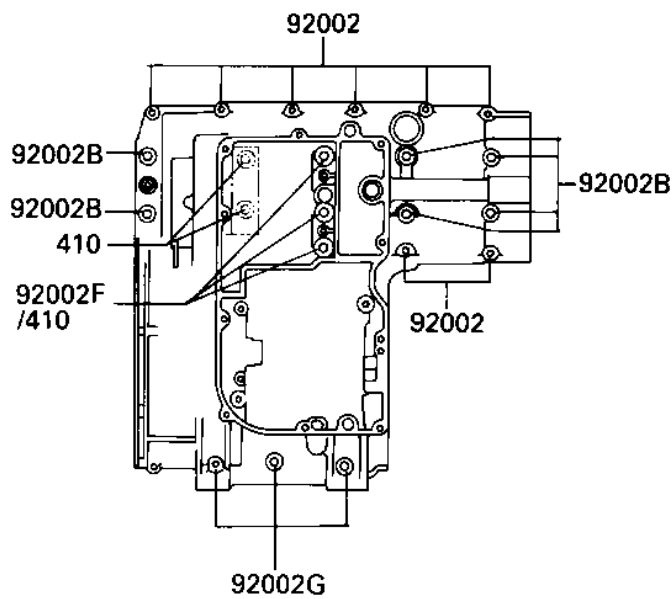
CRANKCASE BOLT PATTERN

E1412-0027

Upper Case  
(Outside)



Lower Case  
(Outside)



## 1986 NINJA® 1000R PARTS LIST

### CRANKCASE BOLT PATTERN

| ITEM NAME                    | PART NUMBER | QUANTITY |
|------------------------------|-------------|----------|
| BOLT,6X38 (Ref # 92002)      | 92001-1899  | 1        |
| BOLT,6X55 (Ref # 92002A)     | 92002-1054  | 1        |
| BOLT,8X90 (Ref # 92002B)     | 92002-1057  | 1        |
| BOLT (Ref # 92002C)          | 92150-1140  | 1        |
| BOLT (Ref # 92002D)          | 92002-1306  | 1        |
| BOLT (Ref # 92002E)          | 92002-1308  | 1        |
| BOLT,6X120 (Ref # 92002F)    | 92150-1164  | 1        |
| BOLT (Ref # 92002G)          | 92002-1654  | 1        |
| WASHER PLAIN 8MM (Ref # 410) | 410B0800    | 1        |