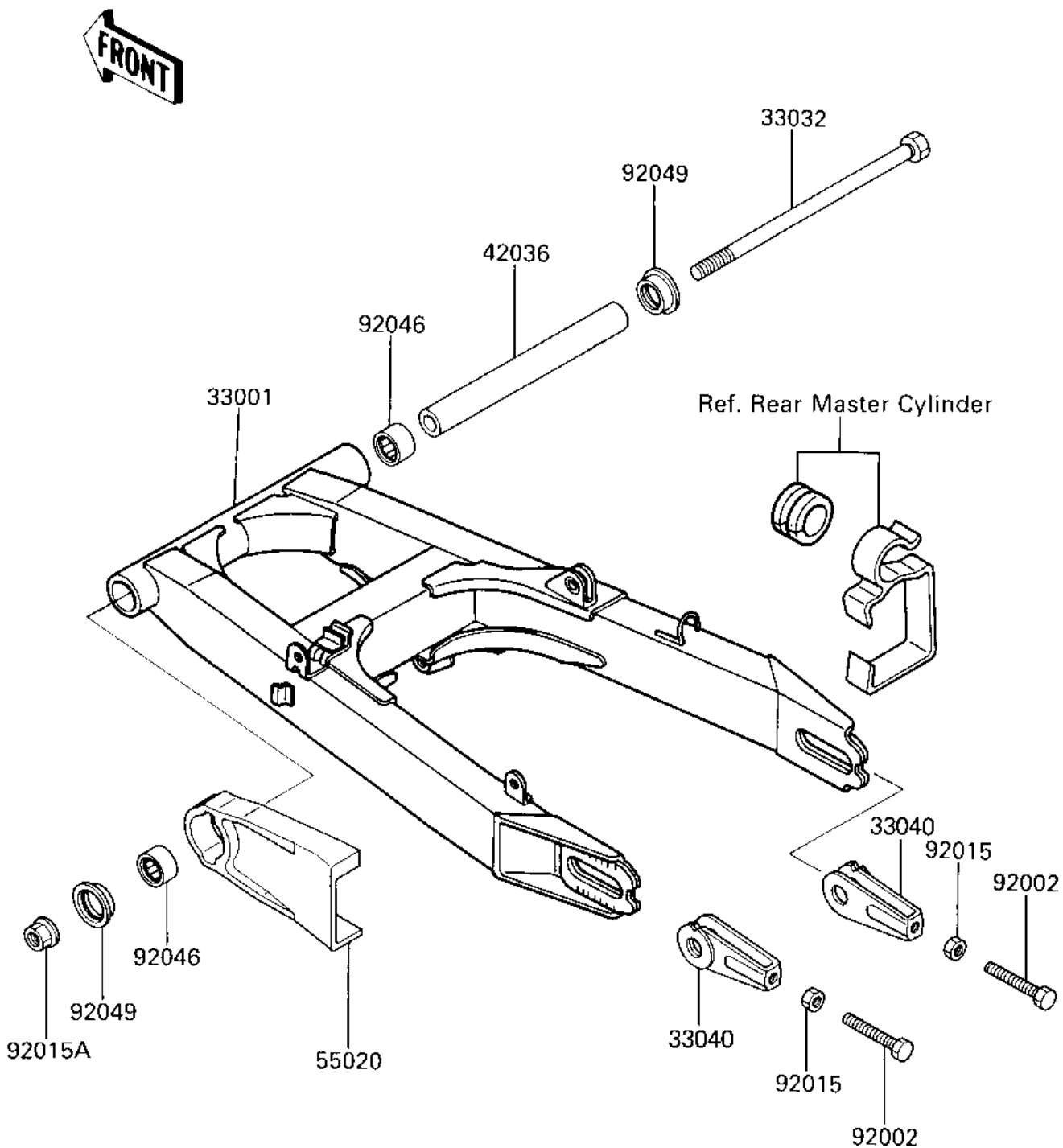


## 1986 NINJA® 250R PARTS DIAGRAM

SWING ARM

F2141-0038



## 1986 NINJA® 250R PARTS LIST

### SWING ARM

ITEM NAME	PART NUMBER	QUANTITY
ARM-COMP-SWING,SILVER (Ref # 33001)	33001-1263-P1	1
SHAFT,SWING ARM (Ref # 33032)	33032-1002	1
ADJUSTER-CHAIN (Ref # 33040)	33040-043	1
SLEEVE,14.1X22X213 (Ref # 42036)	42036-1180	1
GUARD,CHAIN (Ref # 55020)	55020-1218	1
BOLT (Ref # 92002)	92150-1350	1
NUT,8MM (Ref # 92015)	92015-1364	1
NUT,14MM (Ref # 92015A)	92015-1407	1
BEARING-NEEDLE (Ref # 92046)	92046-1162	1
SEAL-OIL,MHA22 28 5.7 (Ref # 92049)	92049-1254	1