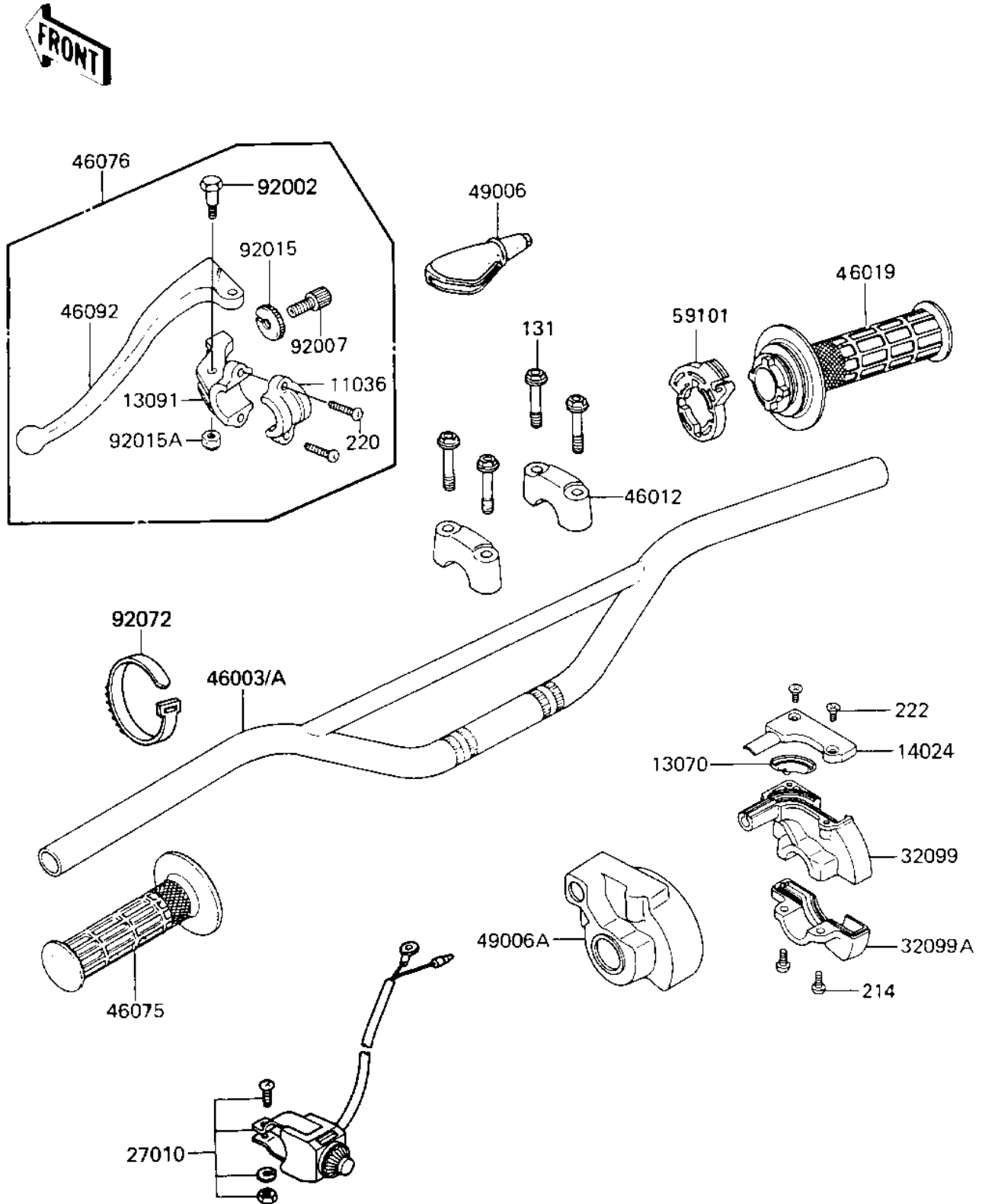


## 1986 KX™125 PARTS DIAGRAM

HANDLEBAR

F2310-0355



## 1986 KX™125 PARTS LIST

### HANDLEBAR

ITEM NAME	PART NUMBER	QUANTITY
BRACKET-A (Ref # 11036)	11036-1297	1
GUIDE,THROTTLE PEACE (Ref # 13070)	13070-1073	1
HOLDER,CLUTCH LEVER (Ref # 13091)	13091-1131	1
COVER,THROTTLE CASE (Ref # 14024)	14025-1646	1
SWITCH,ENGINE STOP (Ref # 27010)	27010-1161	1
CASE,THROTTLE UPP (Ref # 32099)	32099-1036	1
CASE,THROTTLE LWR (Ref # 32099A)	32099-1044	1
HANDLE (Ref # 46003)	46003-1176	1
HANDLE,HIGH TYPE (Ref # 46003A)	46003-1188	1
HOLDER-HANDLE,UPP (Ref # 46012)	46012-1119	1
GRIP-ASSY,THROTTLE (Ref # 46019)	46019-1054	1
GRIP,LH (Ref # 46075)	46075-1024	1
LEVER-ASSY-GRIP (Ref # 46076)	46076-1118	1
LEVER-GRIP,CLUTCH (Ref # 46092)	46092-1110	1
BOOTS,LEVER HOLDER (Ref # 49006)	49006-1017	1
BOOT,THROTTLE CASE (Ref # 49006A)	49006-1097	1
REEL,THROTTLE (Ref # 59101)	59101-1103	1
BOLT,LEVER SET (Ref # 92002)	92002-1150	1
SCREW,CABLE ADJUST (Ref # 92007)	46055-010	1
NUT,CABLE ADJUST LOC (Ref # 92015)	46056-006	1
NUT (Ref # 92015A)	92019-008	1
BAND,SHORT (Ref # 92072)	92072-030	1
BOLT-FLANGED,8X30 (Ref # 131)	131G0830	1
SCREW-PAN-CROS,5X18 (Ref # 214)	220C0518	1
SCREW-PAN-CROSS,5X14 (Ref # 220)	220C0514	1
SCREW OVL CNTSNK 4X1 (Ref # 222)	222E0412	1