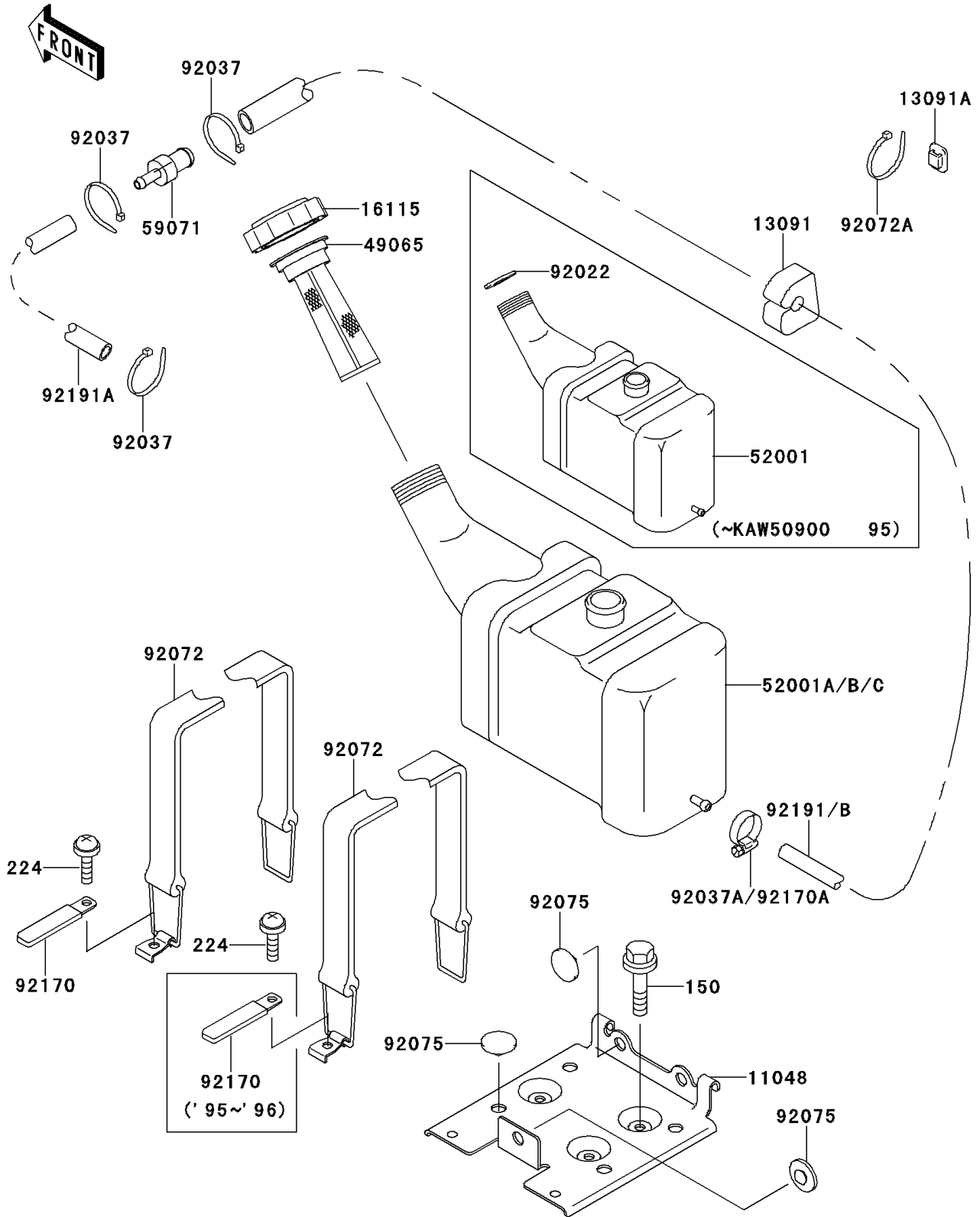


## 1995 JET SKI® 900 ZXi PARTS DIAGRAM

Oil Tank

F3174



## 1995 JET SKI® 900 ZXi PARTS LIST

Oil Tank

ITEM NAME	PART NUMBER	QUANTITY
BOLT-WS,6X16 (Ref # 150)	150R0616	1
SCREW-PAN-WP-CROS (Ref # 224)	224R0614	1
BRACKET,OIL TANK (Ref # 11048)	11048-3773	1
HOLDER (Ref # 13091)	13091-3712	1
HOLDER,BAND (Ref # 13091A)	13091-3764	1
CAP-OIL FILLER (Ref # 16115)	16115-3714	1
FILTER-OIL (Ref # 49065)	49065-3702	1
TANK-OIL (Ref # 52001)	52001-3718	1
TANK-OIL (Ref # 52001B)	52001-3723	1
WASHER,25.5X38X1 (Ref # 92022)	92022-145	1
CLAMP (Ref # 92037)	92037-1173	1
CLAMP (Ref # 92037A)	92037-3726	1
BAND,BATTERY (Ref # 92072)	92072-3748	1
BAND (Ref # 92072A)	92072-3778	1
DAMPER,RUBBER (Ref # 92075)	92075-261	1
CLAMP (Ref # 92170)	92170-3705	1
CLAMP (Ref # 92170A)	92170-3747	1
TUBE,OIL PUMP-OIL TANK (Ref # 92191)	92191-3763	1