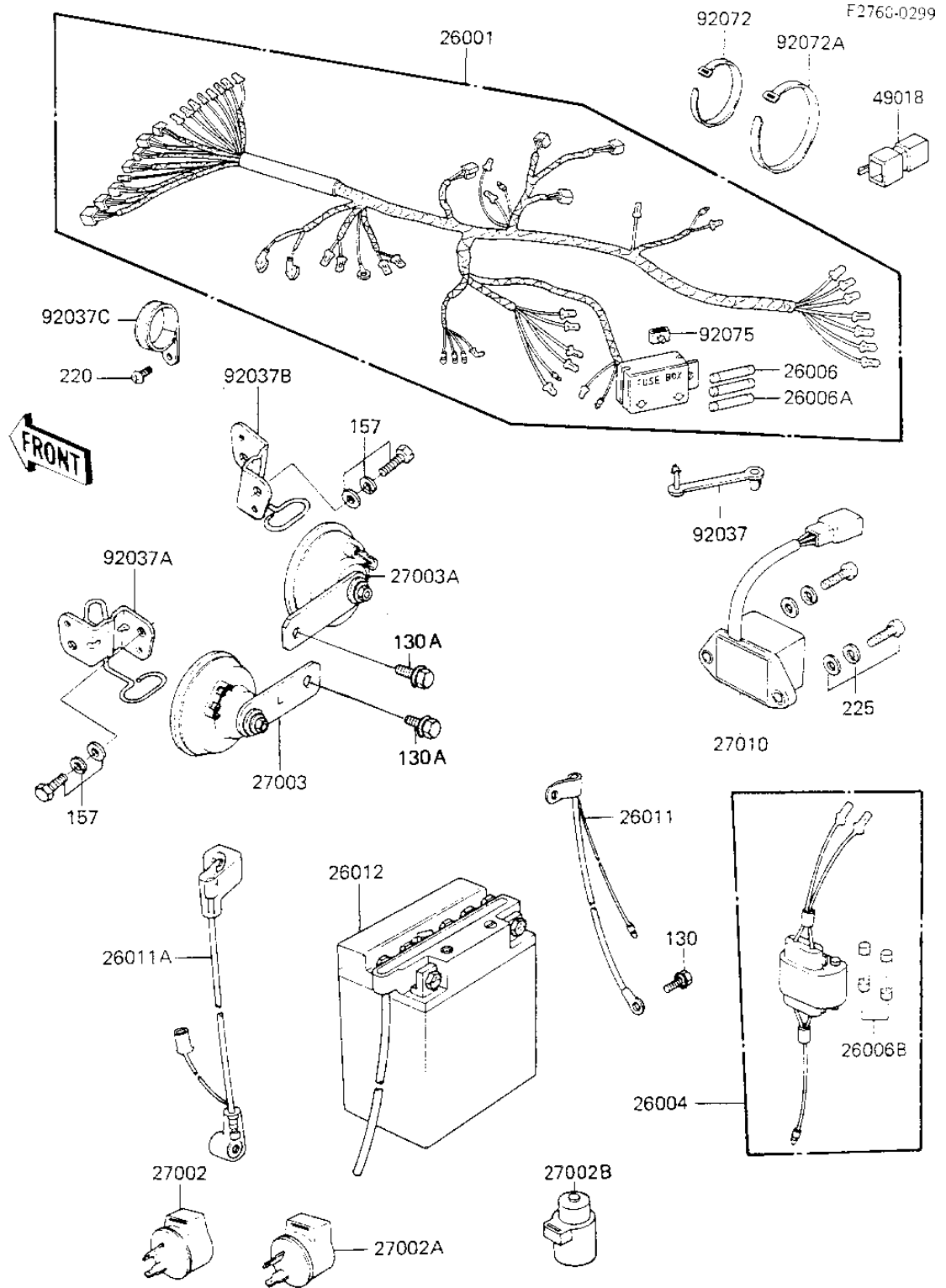


## 1984 700 Sports PARTS DIAGRAM

CHASSIS ELECTRICAL EQUIPMENT



## 1984 700 Sports PARTS LIST

### CHASSIS ELECTRICAL EQUIPMENT

ITEM NAME	PART NUMBER	QUANTITY
HARNESS,MAIN (Ref # 26001)	26001-1657	1
FUSE-ASSY,ACCESSORY (Ref # 26004)	26004-1014	1
FUSE 10A (Ref # 26006)	26006-003	1
FUSE-20A (Ref # 26006A)	26006-005	1
FUSE,10A,L=30M/M (Ref # 26006B)	26006-1002	1
WIRE-LEAD,BATTERY GR (Ref # 26011)	26011-1159	1
WIRE-LEAD (Ref # 26011A)	26011-1174	1
FB BAT FB12A-A (Ref # 26012)	26012-1004	1
RELAY-TURN SIGNAL (Ref # 27002)	27002-011	1
RELAY,TURN SIGNAL (Ref # 27002A)	27002-016	1
RELAY-ASSY (Ref # 27002B)	27002-1051	1
HORN,LH (Ref # 27003)	27003-1057	1
HORN,RH (Ref # 27003A)	27003-1058	1
SWITCH,RESERVE LIGHT (Ref # 27010)	27010-1069	1
DIODE (Ref # 49018)	49018-1053	1
CLAMP (Ref # 92037)	92037-1290	1
CLAMP,HORN LEAD WIRE (Ref # 92037A)	92037-1322	1
CLAMP,HORN LEAD WIRE (Ref # 92037B)	92037-1323	1
CLAMP,WIRING HARNESS (Ref # 92037C)	92037-1330	1
BAND,MIDDLE (Ref # 92072)	92072-031	1
BAND,WIRING HARNESS (Ref # 92072A)	92072-056	1
DAMPER RUBBER,FUSE (Ref # 92075)	92075-279	1
BOLT,FLANGED,6X8 (Ref # 130)	130B0608	1
BOLT-FLANGED,8X12,BL (Ref # 130A)	130C0812	1
BOLT-WSP (Ref # 157)	157C0514	1
SCREW-PAN-CROS (Ref # 220)	220C0510	1
SCREW-PAN-WSP-CROS (Ref # 225)	225B0620	1