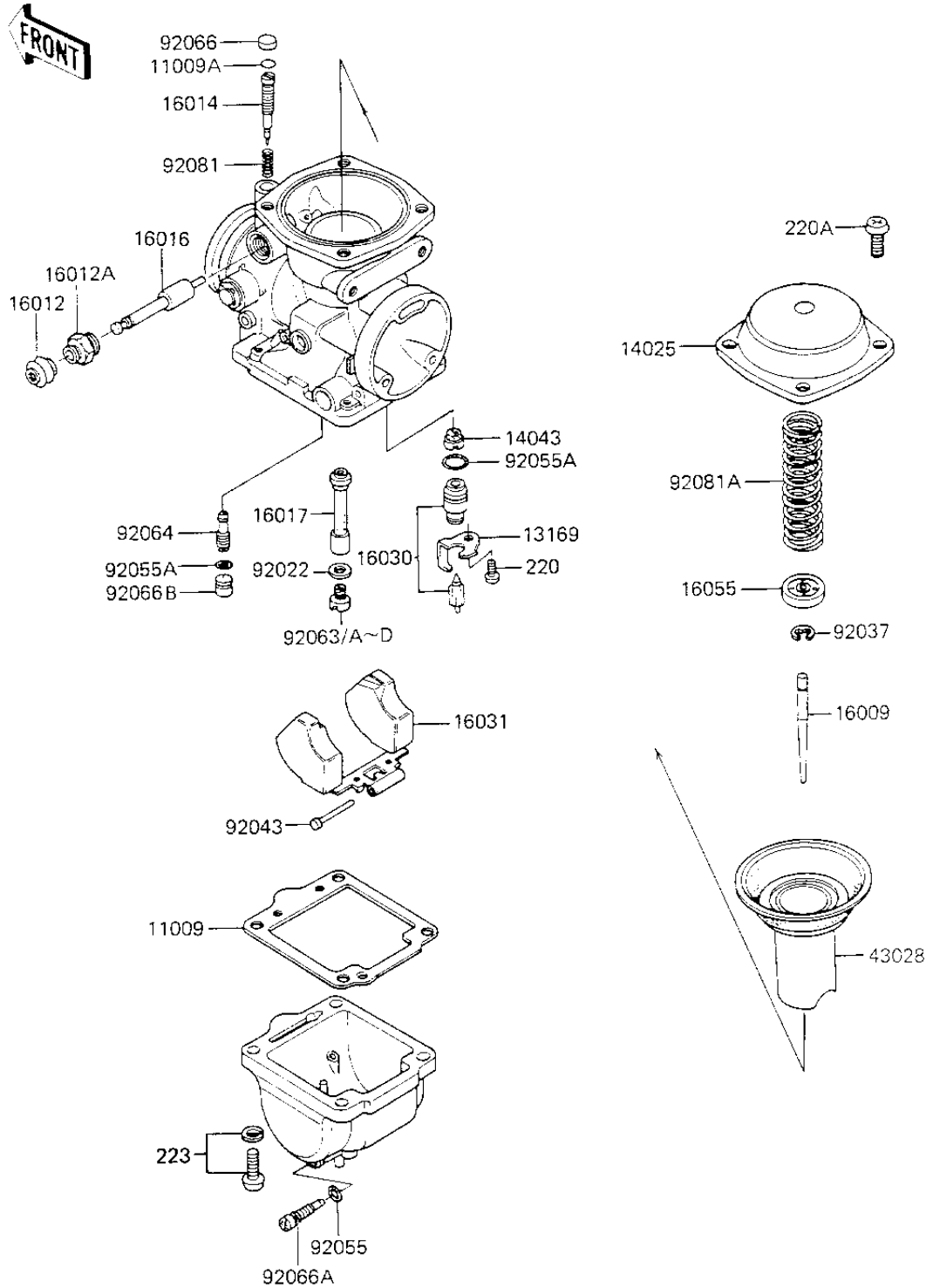


## 1984 700 Sports PARTS DIAGRAM

CARBURETOR PARTS

E1612-0062



## 1984 700 Sports PARTS LIST

### CARBURETOR PARTS

ITEM NAME	PART NUMBER	QUANTITY
GASKET,FLOAT CHAMBER (Ref # 11009)	11009-1241	1
"O" RING (Ref # 11009A)	16038-022	1
UNAVAILABLE IN PRICE BOOK (Ref # 13169)	13169-148	1
COVER (Ref # 14025)	14025-1395	1
FILTER,FLOAT VALVE (Ref # 14043)	14043-1010	1
NEEDLE-JET,4BE4 (Ref # 16009)	16009-1114	1
CAP-STARTER PLUNGER (Ref # 16012)	16012-1010	1
CAP-STARTER PLUNGER (Ref # 16012A)	16012-1011	1
SCREW-PILOT AIR (Ref # 16014)	16014-1014	1
PLUNGER (Ref # 16016)	16016-1019	1
JET-NEEDLE,Y-9 (Ref # 16017)	16017-1109	1
VALVE-FLOAT (Ref # 16030)	16030-1016	1
FLOAT (Ref # 16031)	16031-1013	1
PLATE,NEEDLE (Ref # 16055)	16055-010	1
DIAPHRAGM,VALVE (Ref # 43028)	43028-1034	1
WASHER MAIN JET (Ref # 92022)	16034-001	1
CIRCLIP (Ref # 92037)	16008-014	1
PIN,FLOAT (Ref # 92043)	16032-008	1
"O" RING (Ref # 92055)	92055-044	1
"O" RING (Ref # 92055A)	92055-1105	1
MAIN JET,#A102.5 (Ref # 92063)	92063-1028	1
MAIN JET,#A100 (Ref # 92063A)	92063-1033	1
MAIN JET,#110R (Ref # 92063B)	92063-1038	1
JET-MAIN,#A107.5R (Ref # 92063C)	92063-1041	1
MAIN JET,#A105R (Ref # 92063D)	92063-1042	1
JET-PILOT,#A37.5 (Ref # 92064)	92064-1036	1
PLUG,PILOT SCREW (Ref # 92066)	92066-1051	1
SCREW,DRAIN (Ref # 92066A)	92066-1064	1
SPRING,PILOT SCREW (Ref # 92081)	16022-016	1

## 1984 700 Sports PARTS LIST

### CARBURETOR PARTS

ITEM NAME	PART NUMBER	QUANTITY
SPRING,DPHRGM VALVE (Ref # 92081A)	92081-1363	1
SCREW PAN HEAD 4X6 (Ref # 220)	220B0406	1
SCREW PAN HEAD 5X8 (Ref # 220A)	220B0508	1
SCREW-PAN-WS-CROS (Ref # 223)	223B0516	1