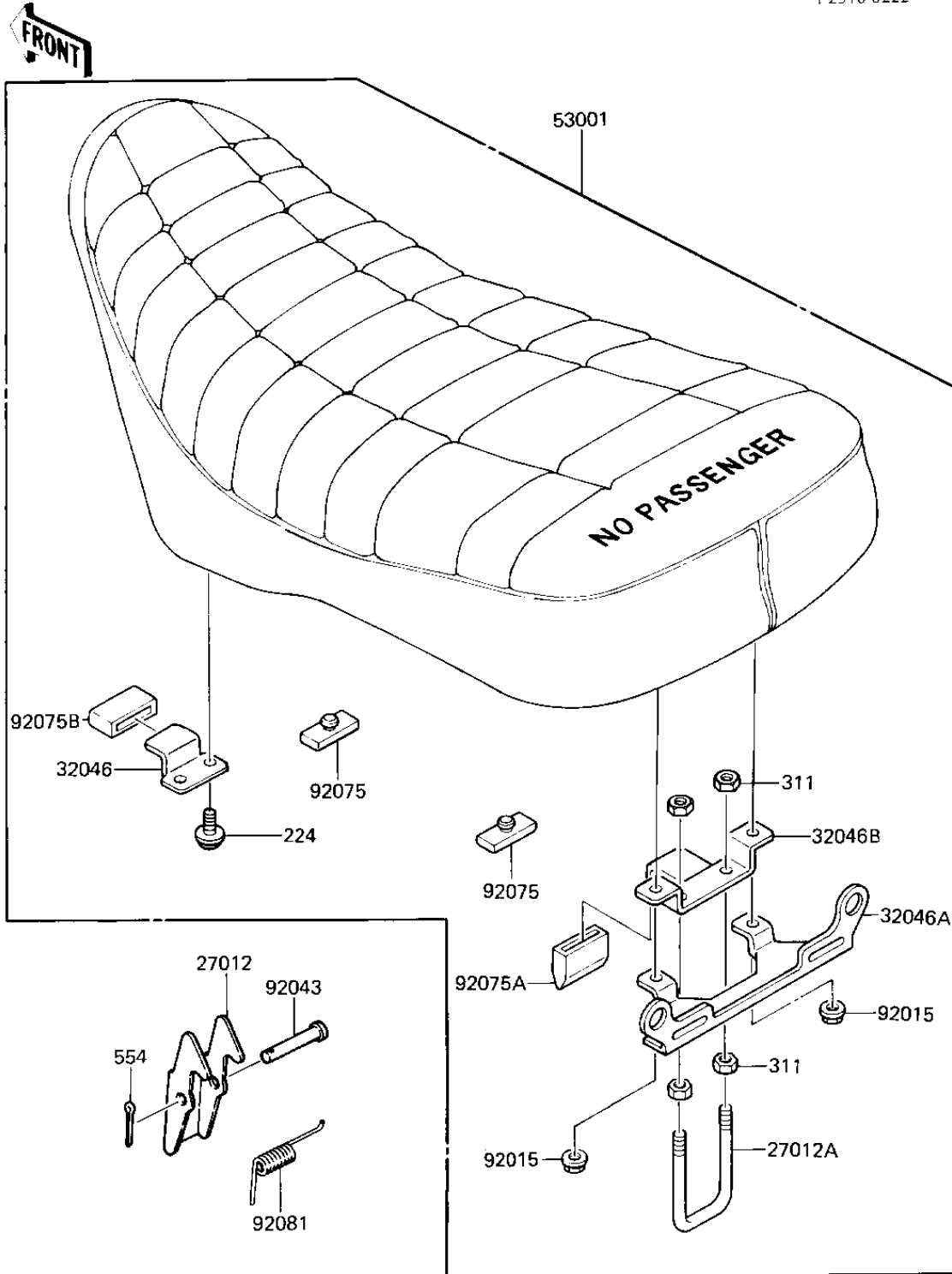


1985 KLT160 PARTS DIAGRAM

SEAT

F2510-0222



1985 KLT160 PARTS LIST

SEAT

| ITEM NAME | PART NUMBER | QUANTITY |
|--------------------------------------|-------------|----------|
| HOOK (Ref # 27012) | 27012-4009 | 1 |
| HOOK,SEAT (Ref # 27012A) | 27012-4010 | 1 |
| BRACKET-SEAT,FR (Ref # 32046) | 32046-4018 | 1 |
| BRACKET-SEAT,TIE DOWN (Ref # 32046A) | 32046-4019 | 1 |
| BRACKET,SEAT,RR (Ref # 32046B) | 32046-4025 | 1 |
| SEAT-ASSY (Ref # 53001) | 53001-1392 | 1 |
| NUT-6MM (Ref # 92015) | 92015-1078 | 1 |
| PIN, DUAL SEAT PIVOT (Ref # 92043) | 53011-006 | 1 |
| DAMPER RUBBER,SEAT (Ref # 92075) | 92075-1054 | 1 |
| DAMPER RUBBER,SEAT (Ref # 92075A) | 92075-219 | 1 |
| DAMPER,SEAT (Ref # 92075B) | 92075-4039 | 1 |
| SPRING (Ref # 92081) | 92081-4020 | 1 |
| SCREW,6X14 (Ref # 224) | 92009-1333 | 1 |
| NUT 6MM (Ref # 311) | 311B0600 | 1 |
| PIN,SNAP (Ref # 554) | 554A0600 | 1 |