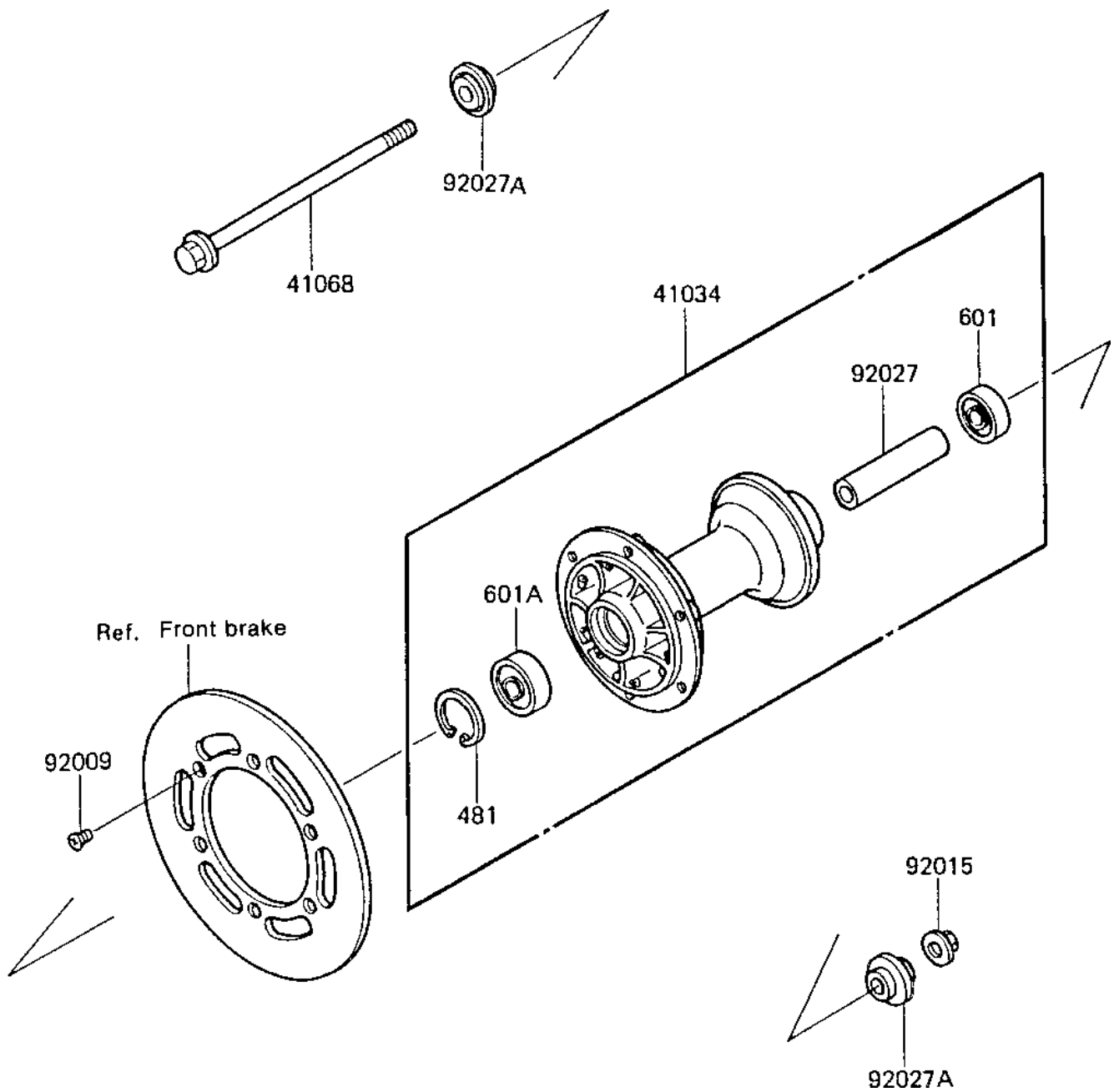


## 1984 KX™80 PARTS DIAGRAM

FRONT HUB ('85 KX80-E3)

F2230-0111



## 1984 KX™80 PARTS LIST

FRONT HUB ('85 KX80-E3)

ITEM NAME	PART NUMBER	QUANTITY
DRUM-ASSY,FRONT BRAKE (Ref # 41034)	41034-1111	1
AXLE,FR,L=193 (Ref # 41068)	41068-1128	1
SCREW,6X10 (Ref # 92009)	92009-1375	1
NUT,10MM (Ref # 92015)	92015-1415	1
COLLAR,FRONT DRUM,L=8 (Ref # 92027)	92027-1755	1
COLLAR,FRONT AXLE,L=6 (Ref # 92027A)	92027-1756	1
CIRCLIP,35MM (Ref # 481)	481J3500	1
BEARING-BALL, #6200 (Ref # 601)	601B6200UU	1
BEARING-BALL, #6300 (Ref # 601A)	601B6300UU	1