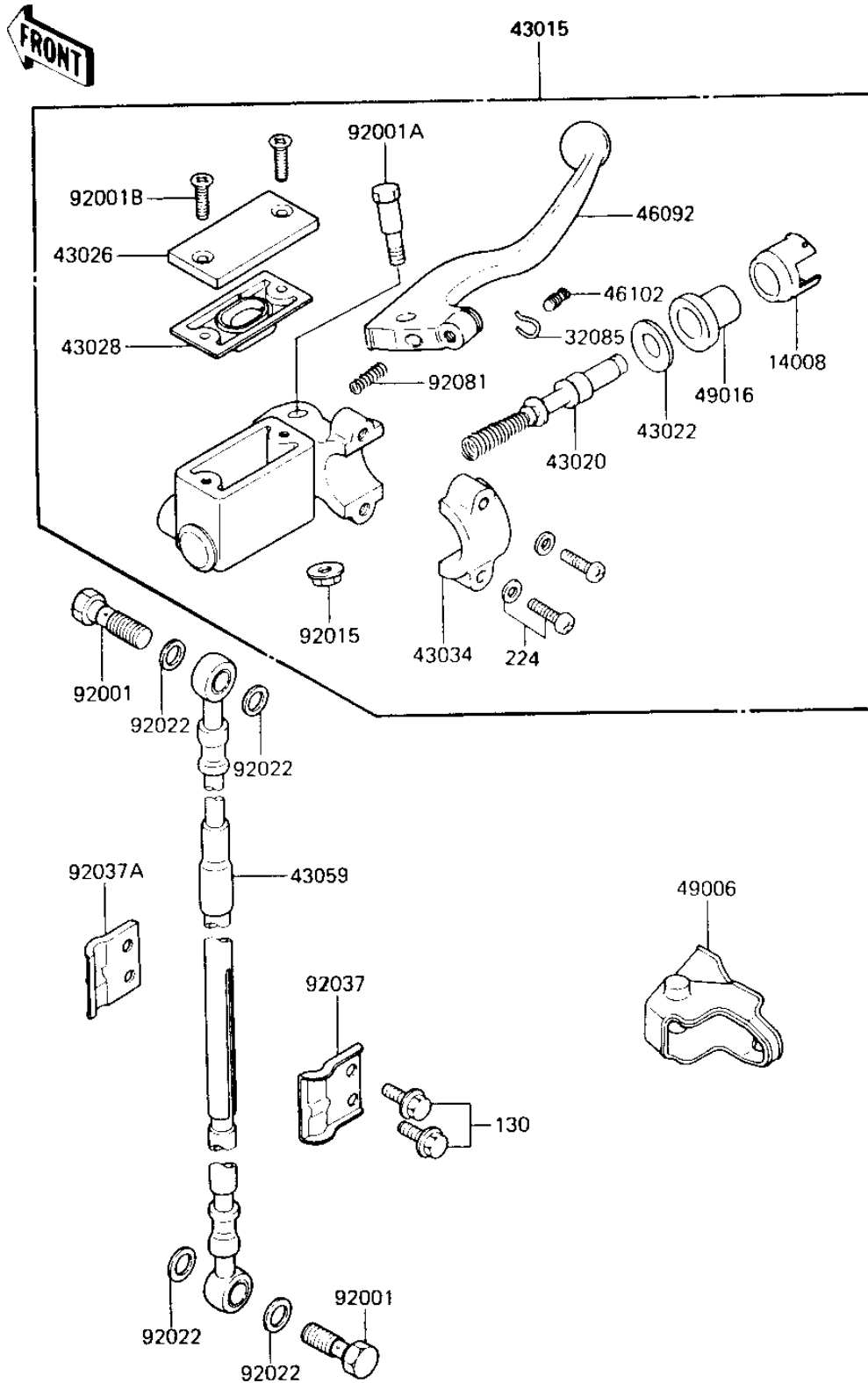


1984 KX™80 PARTS DIAGRAM

FRONT MASTER CYLINDER ('84 KX80-E2)

F 2291-0090



1984 KX™80 PARTS LIST

FRONT MASTER CYLINDER ('84 KX80-E2)

ITEM NAME	PART NUMBER	QUANTITY
LINER (Ref # 14008)	14008-1030	1
STOPPER,BRAKE LEVER R (Ref # 32085)	32085-1087	1
CYLINDER-ASSY-MASTER (Ref # 43015)	43015-1281	1
PISTON-COMP-BRAKE (Ref # 43020)	43020-1021	1
STOPPER-BRAKE (Ref # 43022)	43022-1008	1
CAP-BRAKE (Ref # 43026)	43026-1019	1
DIAPHRAGM (Ref # 43028)	43028-1030	1
HOLDER-BRAKE (Ref # 43034)	43034-1012	1
HOSE-BRAKE,L=1080 (Ref # 43059)	43059-1253	1
LEVER-GRIP,BRAKE (Ref # 46092)	46092-1108	1
ROD,BRAKE LEVER ADJUS (Ref # 46102)	46102-1120	1
BOOT,BRAKE LEVER (Ref # 49006)	49006-1090	1
COVER-SEAL (Ref # 49016)	49016-1035	1
BOLT,OIL,L=23 (Ref # 92001)	92002-1888	1
BOLT,6X37.3,BLACK (Ref # 92001A)	92001-1512	1
SCREW-COUNTERSUNK (Ref # 92001B)	92001-1532	1
NUT,LOCK,6MM,BLACK (Ref # 92015)	92015-1191	1
WASHER-OIL BOLT (Ref # 92022)	43067-001	1
CLAMP,BRAKE HOSE,OUTS (Ref # 92037)	92037-1362	1
CLAMP,BRAKE HOSE,INSI (Ref # 92037A)	92037-1363	1
SPRING,BRAKE LEVER (Ref # 92081)	92081-1428	1
BOLT-FLANGED,6X16 (Ref # 130)	130G0616	1
SCREW-PAN-WP-CROS (Ref # 224)	224B0625	1