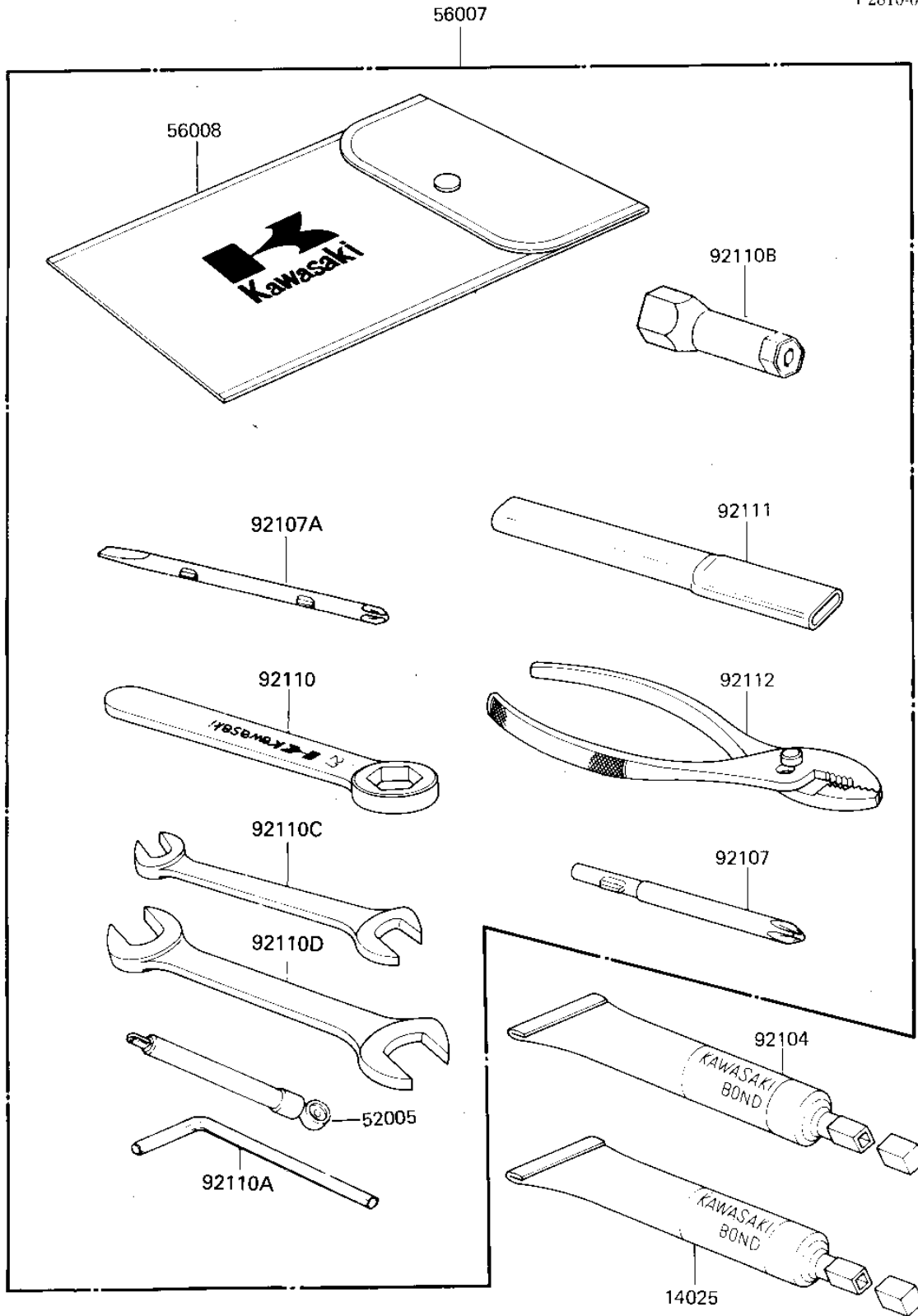


1985 NINJA® 750R PARTS DIAGRAM

OWNER TOOLS

F2810-0200



1985 NINJA® 750R PARTS LIST

OWNER TOOLS

ITEM NAME	PART NUMBER	QUANTITY
BOND,#10 (Ref # 14025)	56019-120	1
GAUGE,AIR,3.5KG/CM2 (Ref # 52005)	52005-1031	1
TOOLKIT (Ref # 56007)	56007-1287	1
BAG,TOOLKIT (Ref # 56008)	56008-1019	1
GASKET-LIQUID,BLACK (Ref # 92104)	92104-1003	1
SCREW DRIVER #3 PHLIP (Ref # 92107)	92107-005	1
92107-1052 (Canada) (Ref # 92107A)	92107-1051	1
TOOL-WRENCH,BOX END,2 (Ref # 92110)	92110-1147	1
TOOL-WRENCH,ALLEN,8MM (Ref # 92110A)	92110-1108	1
92110-1115 (Canada) (Ref # 92110B)	92110-1114	1
TOOL-WRENCH,OPEN END, (Ref # 92110C)	92110-1152	1
TOOL-WRENCH,OPEN END, (Ref # 92110D)	92110-1153	1
TOOL-WRENCH,OPEN END, (Ref # 92111)	92111-004	1
PLIERS,160MM (Ref # 92112)	92112-003	1