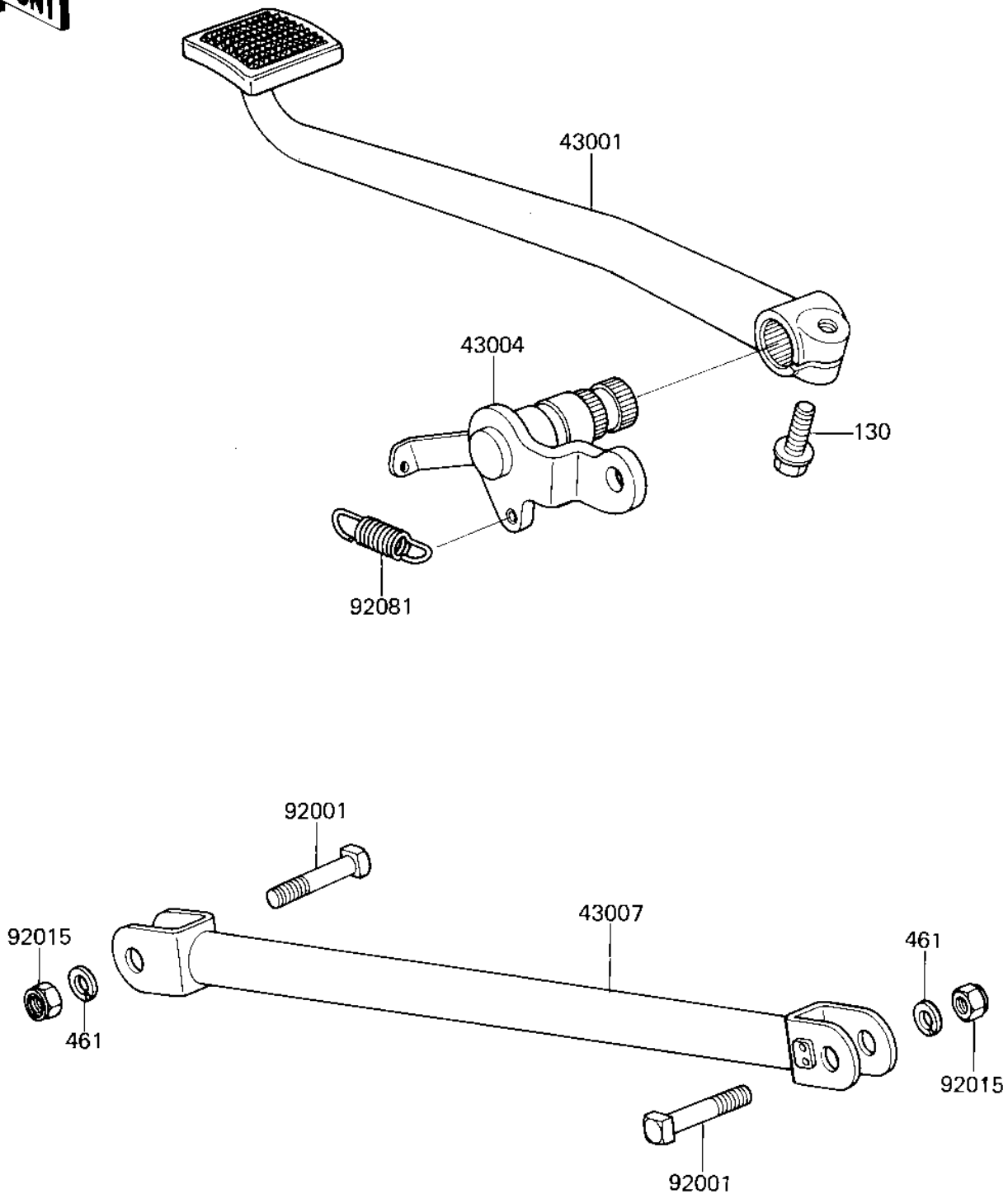


## 1985 NINJA® 750R PARTS DIAGRAM

BRAKE PEDAL/TORQUE LINK

F2260-0116



## 1985 NINJA® 750R PARTS LIST

BRAKE PEDAL/TORQUE LINK

| ITEM NAME                         | PART NUMBER | QUANTITY |
|-----------------------------------|-------------|----------|
| LEVER-BRAKE,PEDAL (Ref # 43001)   | 43001-1151  | 1        |
| SHAFT-BRAKE (Ref # 43004)         | 43004-1051  | 1        |
| ROD-TORQUE (Ref # 43007)          | 43007-1046  | 1        |
| BOLT,10X37 (Ref # 92001)          | 92001-1646  | 1        |
| NUT,LOCK,10MM,BLACK (Ref # 92015) | 92015-1189  | 1        |
| SPRING,BRAKE PEDAL (Ref # 92081)  | 92081-1313  | 1        |
| BOLT-FLANGED,8X25,BLA (Ref # 130) | 130J0825    | 1        |
| WASHER-SPRING,10MM (Ref # 461)    | 461K1000    | 1        |