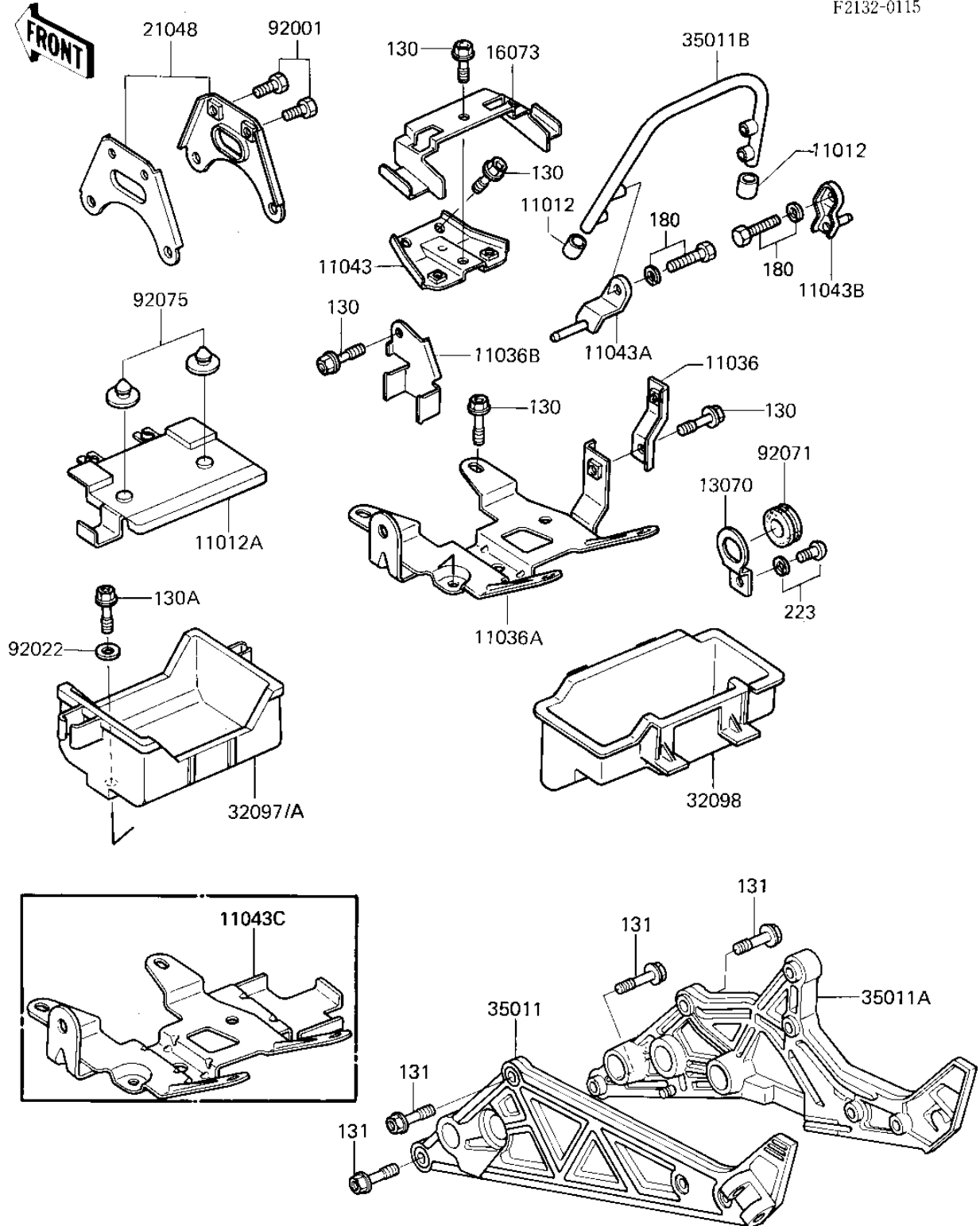


1985 NINJA® 750R PARTS DIAGRAM

BATTERY CASE/TOOL CASE

F2132-0115



1985 NINJA® 750R PARTS LIST

BATTERY CASE/TOOL CASE

ITEM NAME	PART NUMBER	QUANTITY
CAP,RR STAY END (Ref # 11012)	11012-1290	1
CAP,BATTERY (Ref # 11012A)	11012-1292	1
BRACKET-A,RESERVOIR (Ref # 11036)	11036-1345	1
BRACKET-A,ELECTRO BAS (Ref # 11036A)	11036-1967	1
BRACKET-A,MAGNETIC SW (Ref # 11036B)	11036-1968	1
BRACKET-B,REGULATOR (Ref # 11043)	11043-1129	1
BRACKET-B,RR STAY,LH (Ref # 11043A)	11043-1144	1
BRACKET-B,RR STAY,RH (Ref # 11043B)	11043-1145	1
BRACKET,ELECTRO BASE (Ref # 11043C)	11043-1427	1
GUIDE,SHOCKABSORBER (Ref # 13070)	13070-1085	1
INSULATOR,REGULATOR (Ref # 16073)	16073-1018	1
PLATE-COIL (Ref # 21048)	21048-1006	1
CASE-BATTERY (Ref # 32097)	32097-1065	1
CASE-BATTERY (Ref # 32097A)	32097-1105	1
CASE-TOOL (Ref # 32098)	32098-1028	1
STAY,MUFFLER,LH (Ref # 35011)	35011-1160	1
STAY,MUFFLER,RH (Ref # 35011A)	35011-1161	1
STAY,RR (Ref # 35011B)	35011-1176	1
BOLT,HEX HEAD,6MM (Ref # 92001)	92001-137	1
WASHER-PLAIN,7MM (Ref # 92022)	92022-240	1
GROMMET (Ref # 92071)	92071-056	1
DAMPER RUBBER (Ref # 92075)	92075-078	1
BOLT,FLANGED,6X10 (Ref # 130)	130B0610	2
BOLT (Ref # 130A)	130B0612	1
BOLT-FLANGED,10X25,BL (Ref # 131)	131J1025	1
BOLT-UPSET-WS (Ref # 180)	180G0630	1
SCREW-PAN-WS-CROS (Ref # 223)	223B0612	1