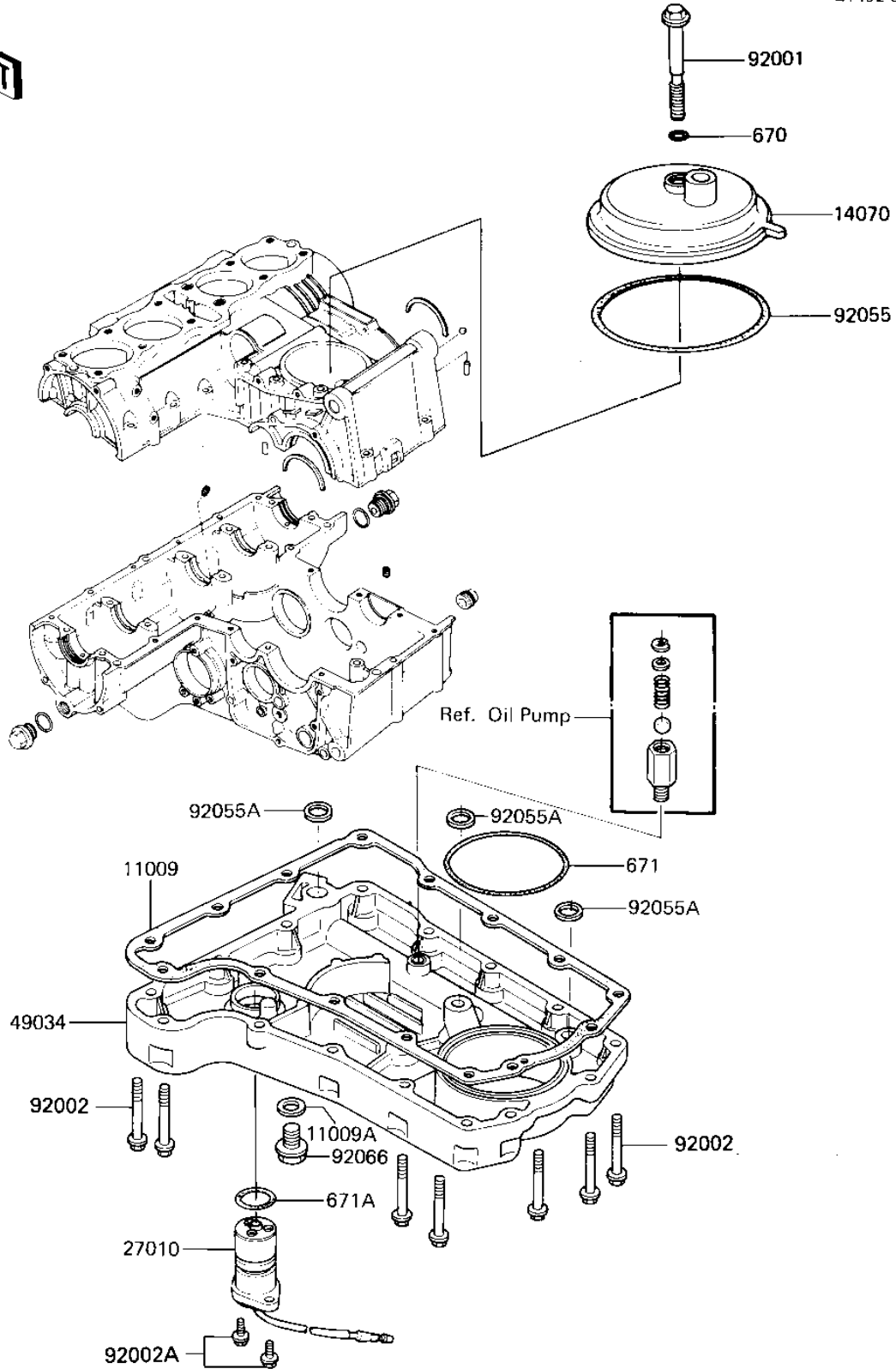


1985 NINJA® 750R PARTS DIAGRAM

BREATHER COVER/OIL PAN

E1432-0014



1985 NINJA® 750R PARTS LIST

BREATHER COVER/OIL PAN

ITEM NAME	PART NUMBER	QUANTITY
GASKET,OIL PAN (Ref # 11009)	11009-1983	1
GASKET,DRIN PLUG (Ref # 11009A)	92065-097	1
BODY-BREATHER,BLACK (Ref # 14070)	14070-1010	1
SWITCH,OIL LEVEL (Ref # 27010)	27010-1057	1
PAN-OIL (Ref # 49034)	49034-1018	1
BOLT,8X72,BLACK (Ref # 92001)	92001-1526	1
BOLT,6X25 (Ref # 92002)	92002-1089	1
BOLT,6X16 (Ref # 92002A)	92002-1100	1
"O" RING,91MM (Ref # 92055)	92055-052	1
"O" RING (Ref # 92055A)	92055-077	1
PLUG,OIL DRAIN,12X15 (Ref # 92066)	92066-1174	1
"O" RING,8MM (Ref # 670)	670B1508	1
"O" RING,90MM (Ref # 671)	671B2590	1
O RING,25MM (Ref # 671A)	671E2525	1