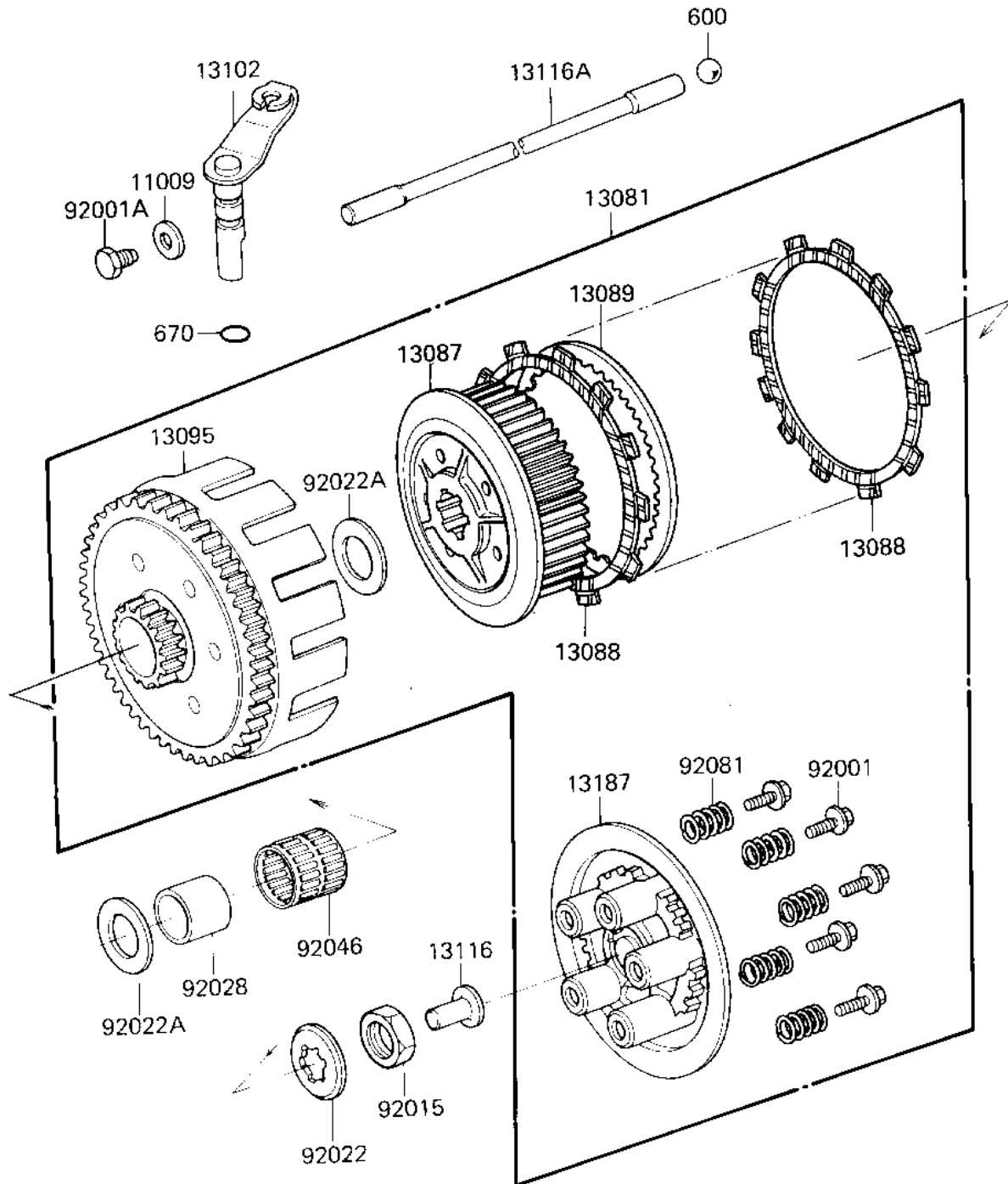


1985 Tecate® PARTS DIAGRAM

CLUTCH ('85 A2)

E135U-0110



1985 Tecate® PARTS LIST

CLUTCH ('85 A2)

| ITEM NAME | PART NUMBER | QUANTITY |
|--------------------------------------|-------------|----------|
| GASKET,R.H ENG COVER (Ref # 11009) | 92065-092 | 1 |
| CLUTCH-ASSY (Ref # 13081) | 13081-1180 | 1 |
| HUB,CLUTCH (Ref # 13087) | 13087-044 | 1 |
| PLATE-FRICTION (Ref # 13088) | 13088-1065 | 1 |
| PLATE-CLUTCH (Ref # 13089) | 13089-1010 | 1 |
| HOUSING-COMP-CLUTCH (Ref # 13095) | 13095-1057 | 1 |
| RELEASE-COMP-CLUTCH (Ref # 13102) | 13102-1077 | 1 |
| ROD-PUSH,CLUTCH (Ref # 13116) | 13116-1010 | 1 |
| ROD-PUSH,CLUTCH,L=158 (Ref # 13116A) | 13116-1107 | 1 |
| PLATE-CLUTCH OPERATIN (Ref # 13187) | 13187-1011 | 1 |
| BOLT,CLUTCH SPR FITT (Ref # 92001) | 92001-1066 | 1 |
| BOLT,CLUTCH RELEASE (Ref # 92001A) | 92003-130 | 1 |
| NUT 20MM (Ref # 92015) | 92016-028 | 1 |
| WASHER,LOCK (Ref # 92022) | 92022-1047 | 1 |
| WASHER-CLUTCH THRUST (Ref # 92022A) | 92022-168 | 1 |
| BUSHING,CLUTCH (Ref # 92028) | 92028-1076 | 1 |
| BEARING-NEEDLE,WR25/2 (Ref # 92046) | 92046-1049 | 1 |
| SPRING,CLUTCH (Ref # 92081) | 92081-139 | 1 |
| BALL STEEL 3/8' (Ref # 600) | 600A1200 | 1 |
| "0" RING, 10MM (Ref # 670) | 670B2010 | 1 |