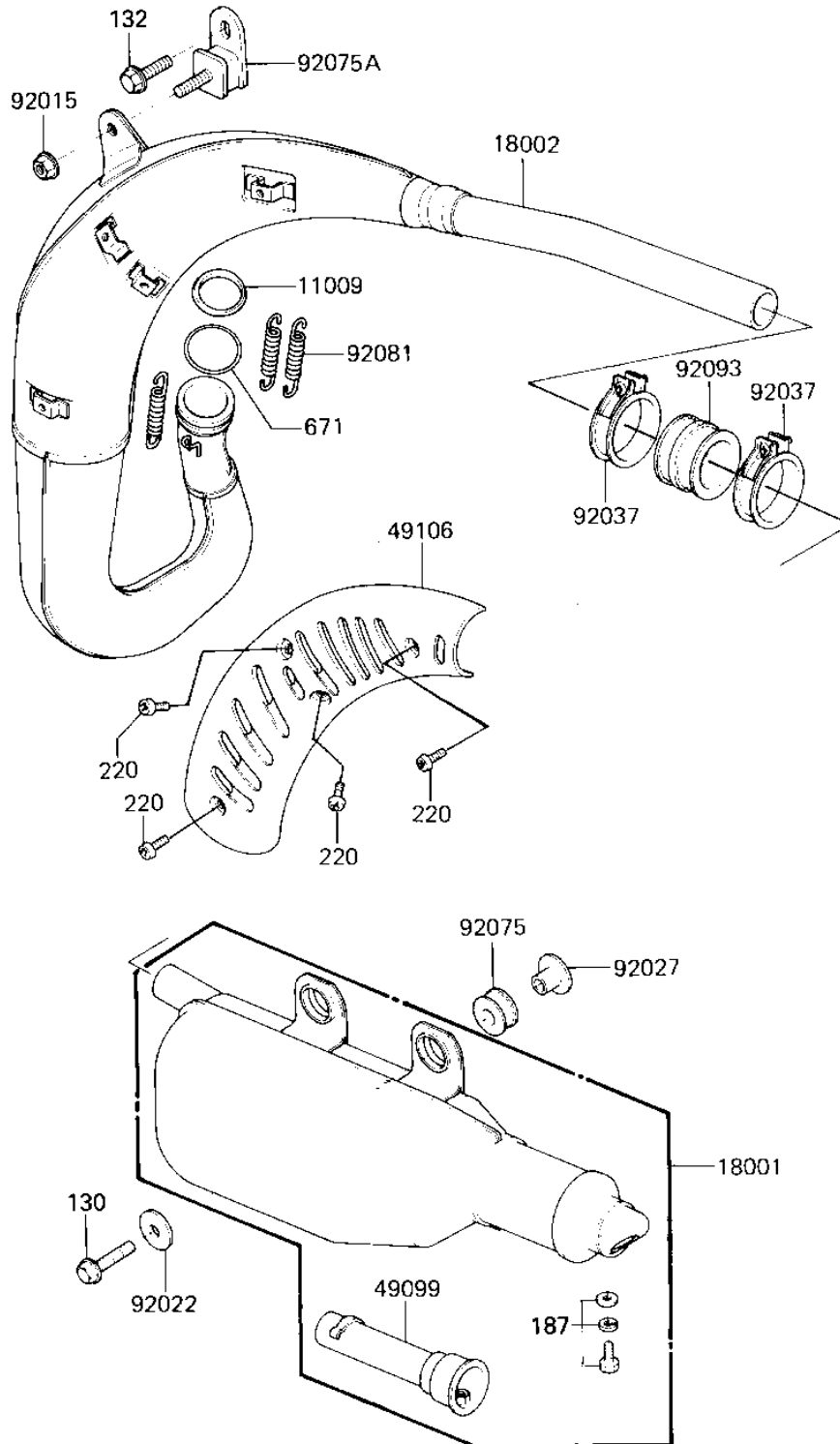


1985 Tecate® PARTS DIAGRAM

MUFFLER ('85 A2)

E1140-0175



1985 Tecate® PARTS LIST

MUFFLER ('85 A2)

ITEM NAME	PART NUMBER	QUANTITY
GASKET,EXHAUST PIPE (Ref # 11009)	11009-1253	1
MUFFLER,F.BLACK (Ref # 18001)	18001-1412	1
BODY-COMP-MUFFLER,BLA (Ref # 18002)	18002-1545	1
BAFFLE-PIPE MUFFLER (Ref # 49099)	49099-1221	1
COVER-MUFFLER (Ref # 49106)	49106-1051	1
NUT-6MM (Ref # 92015)	92015-1078	1
WASHER,PLAIN (Ref # 92022)	92022-298	1
COLLAR,L=16.3 (Ref # 92027)	92027-1672	1
CLAMP,CARBURETOR,40MM (Ref # 92037)	92037-1129	1
DAMPER,MUFFLER (Ref # 92075)	92075-1196	1
DAMPER,MUFFLER (Ref # 92075A)	92075-1891	1
SPRING,MUFFLER CONECT (Ref # 92081)	92081-1526	1
SEAL,MUFFLER (Ref # 92093)	92093-1085	1
BOLT,FLANGED,8X30 (Ref # 130)	130G0830	1
BOLT-FLANGED-SMALL (Ref # 132)	132G0612	1
BOLT 6X12 (Ref # 187)	187B0612	1
SCREW-PAN-CROS,6X8 (Ref # 220)	220C0608	1
O RING,50MM (Ref # 671)	671E2550	1