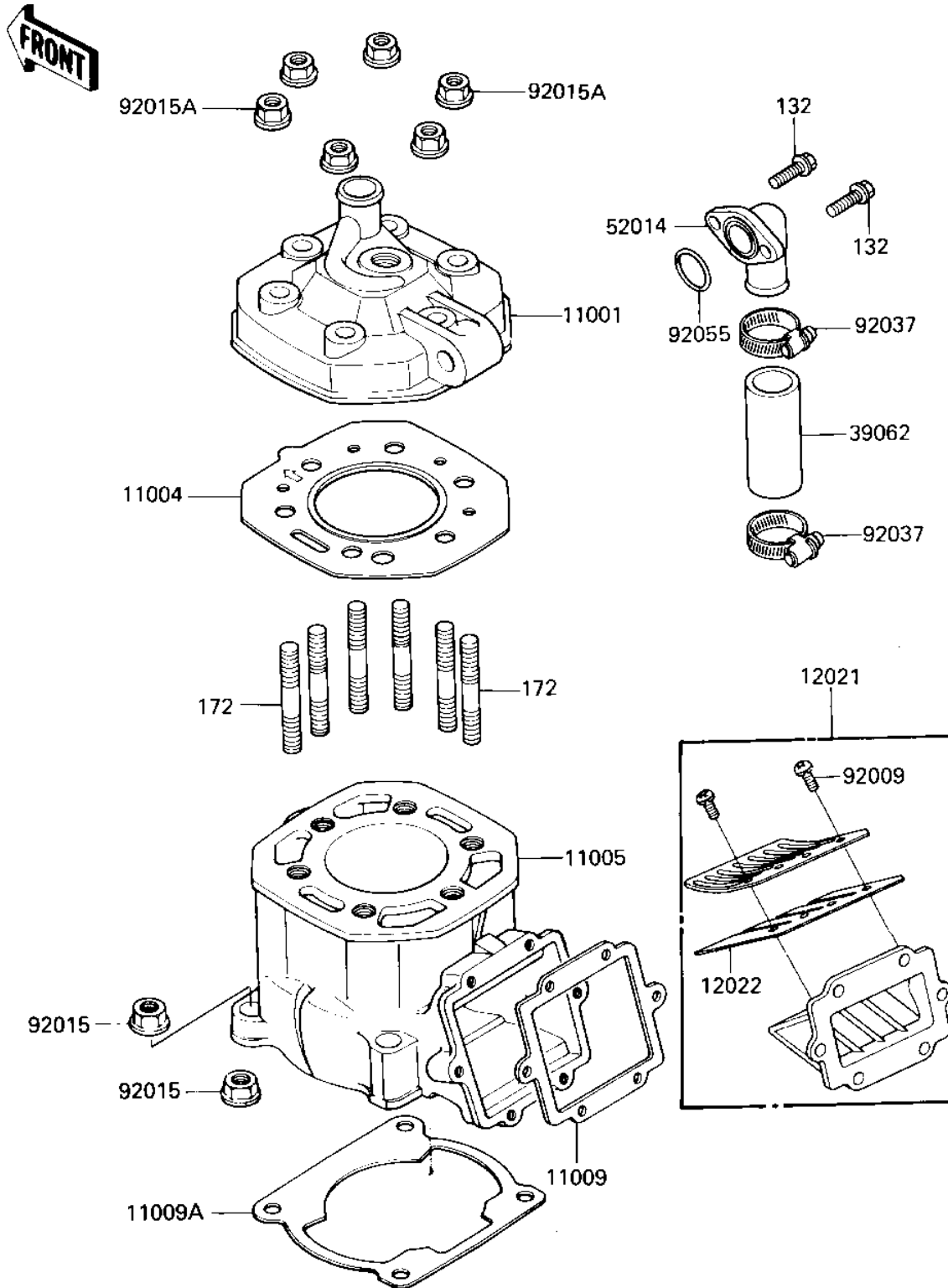


1985 Tecate® PARTS DIAGRAM

CYLINDER HEAD/CYLINDER/REED VALVE ('85 A)

E1110-0014



1985 Tecate® PARTS LIST

CYLINDER HEAD/CYLINDER/REED VALVE ('85 A)

| ITEM NAME | PART NUMBER | QUANTITY |
|-------------------------------------|-------------|----------|
| HEAD-CYLINDER (Ref # 11001) | 11001-1110 | 1 |
| GASKET-HEAD,CYLINDER (Ref # 11004) | 11004-1057 | 1 |
| CYLINDER-ENGINE (Ref # 11005) | 11005-1393 | 1 |
| GASKET,REED VALVE (Ref # 11009) | 11009-1950 | 1 |
| GASKET,CYLINDER BASE (Ref # 11009A) | 11009-1318 | 1 |
| VALVE-ASSY-REED (Ref # 12012) | 12021-1019 | 1 |
| VALVE-REED (Ref # 12022) | 12022-1017 | 1 |
| HOSE-COOLING,RADIATOR (Ref # 39062) | 39062-1256 | 1 |
| ELBOW,CYLINDER (Ref # 52014) | 52014-1004 | 1 |
| SCREW,REED VALVE (Ref # 92009) | 92009-1014 | 1 |
| NUT,10MM (Ref # 92015) | 92015-1415 | 1 |
| NUT-8MM (Ref # 92015A) | 92015-1143 | 1 |
| CLAMP,COOLING HOSE (Ref # 92037) | 92037-1589 | 1 |
| "O" RING (Ref # 92055) | 92055-055 | 1 |
| BOLT-FLANGED-SMALL (Ref # 132) | 132G0616 | 1 |
| STUD,8X35 (Ref # 172) | 92004-1009 | 1 |