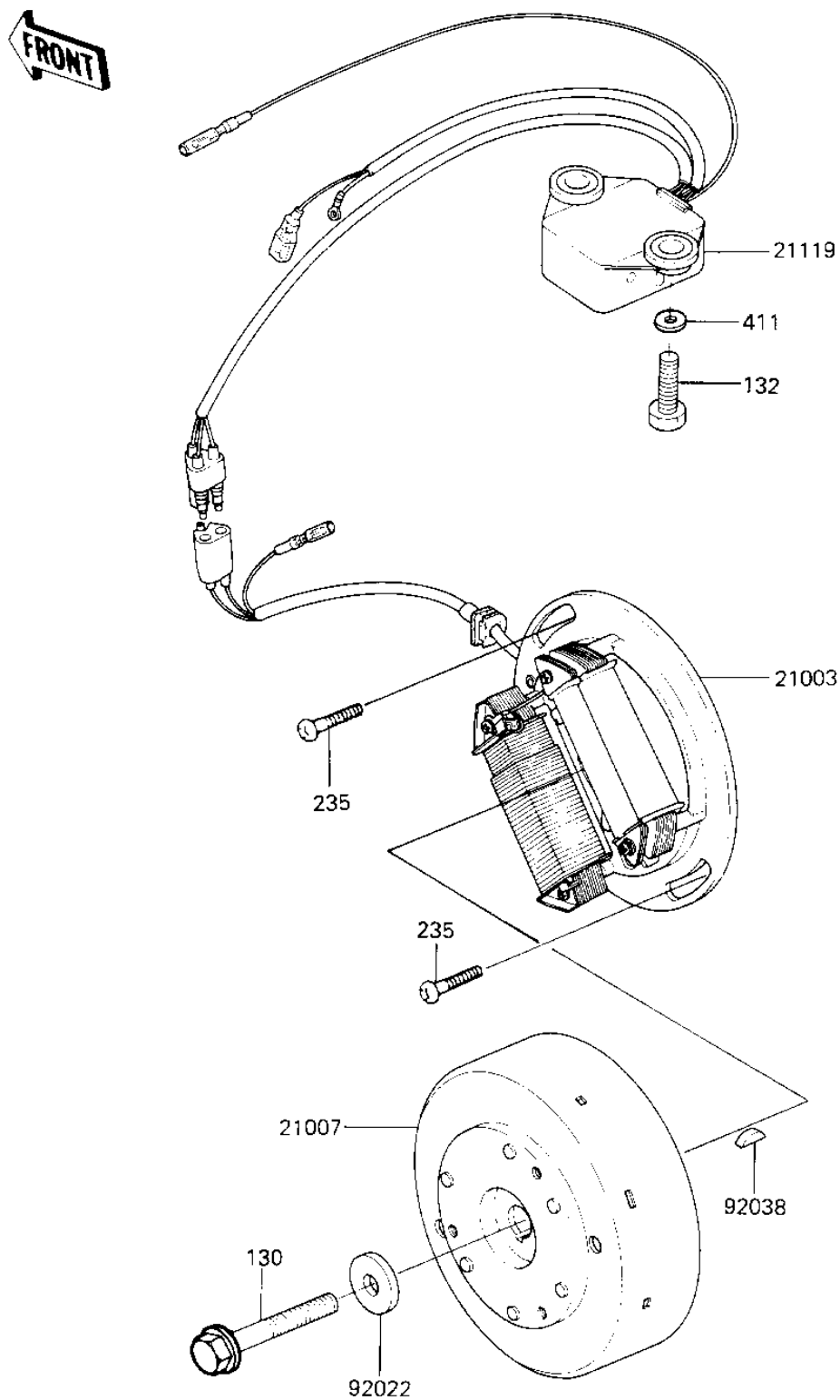


1984 Tecate® PARTS DIAGRAM

IGNITION/GENERATOR ('84 A1)

E181U-012D



1984 Tecate® PARTS LIST

IGNITION/GENERATOR ('84 A1)

ITEM NAME	PART NUMBER	QUANTITY
STATOR (Ref # 21003)	21003-1176	1
ROTOR (Ref # 21007)	21007-1124	1
IGNITER (Ref # 21119)	21119-1074	1
WASHER,PLAIN,8MM (Ref # 92022)	92022-276	1
WOODRUFF KEY (Ref # 92038)	92038-001	1
BOLT-FLANGED,8X40 (Ref # 130)	130P0840	1
BOLT-FLANGED-SMALL (Ref # 132)	132G0616	1
SCREW-PAN-WP-CROS (Ref # 235)	235B0616	1
WASHER PLAIN 6MM (Ref # 411)	411B0600	1