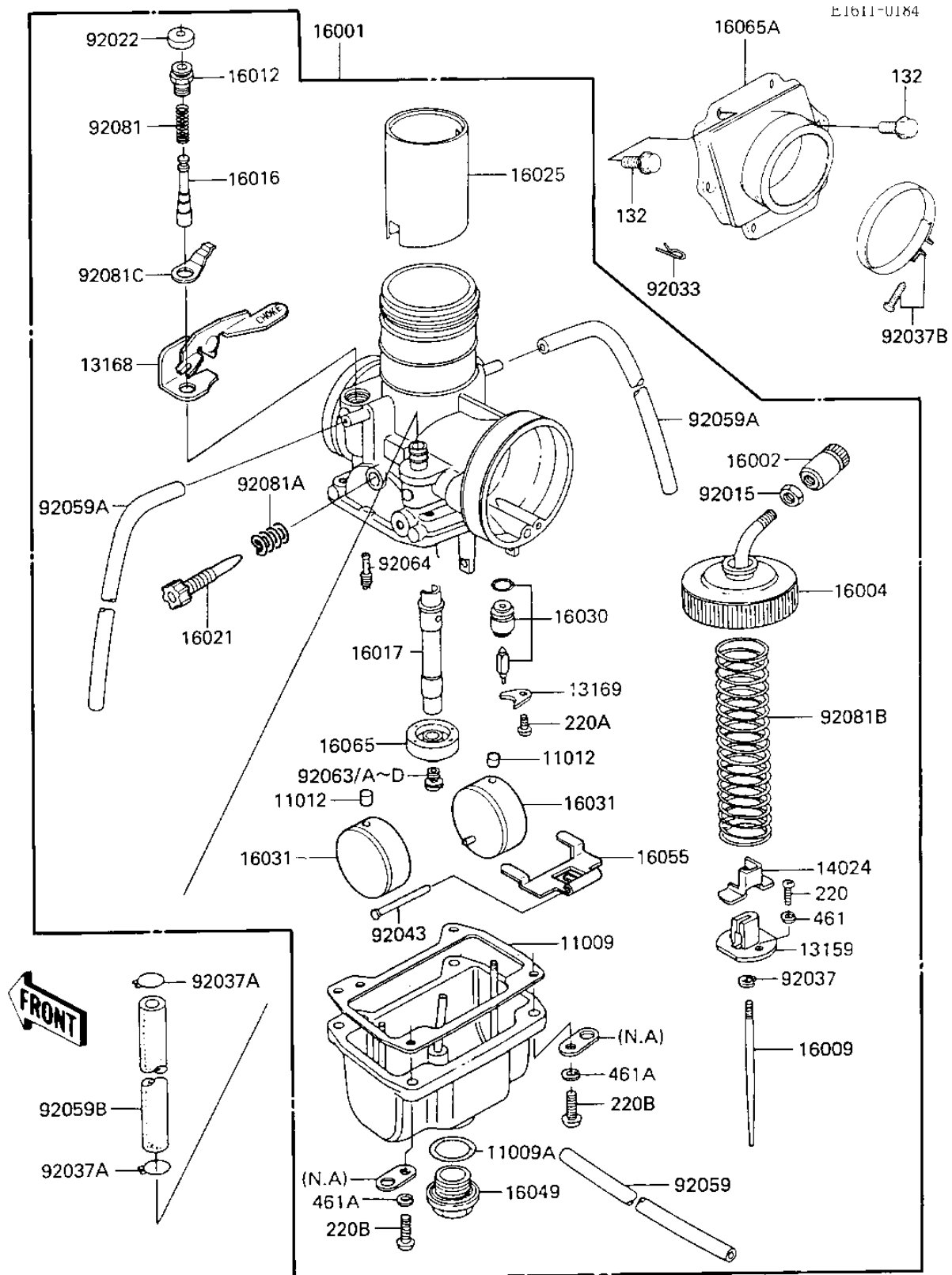


## 1984 Tecate® PARTS DIAGRAM

CARBURETOR ('84 A1)



## 1984 Tecate® PARTS LIST

CARBURETOR ('84 A1)

ITEM NAME	PART NUMBER	QUANTITY
GASKET,FLOAT CHAMBER (Ref # 11009)	11009-1275	1
GASKET-COVER (Ref # 11009A)	16038-009	1
CAP,FLOAT (Ref # 11012)	11012-1047	1
CONNECTOR,THROTTLE (Ref # 13159)	13159-1010	1
LEVER,STARTER (Ref # 13168)	13168-1207	1
PLATE, LOCK (Ref # 13169)	13169-1190	1
COVER,THROTTLE,VALVE (Ref # 14024)	14025-1113	1
CARBURETOR (Ref # 16001)	16001-1878	1
ADJUSTER,CABLE (Ref # 16002)	16002-1006	1
CAP-CHAMBER,MIXING (Ref # 16004)	16004-1013	1
NEEDLE-JET,6FJ50 (Ref # 16009)	16009-1216	1
CAP,STARTER PLUNGER (Ref # 16012)	16012-019	1
PLUNGER (Ref # 16016)	16016-011	1
JET-NEEDLE,Q-6 (Ref # 16017)	16017-1210	1
SCREW,THROTTLE STOP (Ref # 16021)	16021-1034	1
VALVE-THROTTLE,CA2.5 (Ref # 16025)	16025-1102	1
VALVE-FLOAT,3.3 (Ref # 16030)	16030-1020	1
FLOAT (Ref # 16031)	16031-029	1
COVER,MAIN JET (Ref # 16049)	16049-006	1
ARM,FLOAT (Ref # 16055)	16055-009	1
HOLDER,NEEDLE JET (Ref # 16065)	16065-1045	1
HOLDER-CARBURETOR (Ref # 16065A)	16065-1048	1
NUT CABLE ADJUST LOCK (Ref # 92015)	16003-004	1
CAP,STARTER PLUNGER (Ref # 92022)	16039-015	1
CIRCLIP (Ref # 92033)	92036-018	1
CIRCLIP (Ref # 92037)	16008-010	1
CLAMP,CARB CONECT HOS (Ref # 92037A)	92037-056	1
CLAMP,CARBURETOR HOLD (Ref # 92037B)	92037-1313	1
PIN,FLOAT (Ref # 92043)	16032-008	1

## 1984 Tecate® PARTS LIST

CARBURETOR ('84 A1)

ITEM NAME	PART NUMBER	QUANTITY
TUBE,3.5X6.5X410 (Ref # 92059)	92059-1142	1
TUBE,4X7X400,OVERFLOW (Ref # 92059A)	92059-1292	1
TUBE,6.5X11.5X215 (Ref # 92059B)	92059-1295	1
JET-MAIN NO 210A (Ref # 92063)	92063-023	1
JET-MAIN NO 220A (Ref # 92063A)	92063-024	1
JET-MAIN NO 230A (Ref # 92063B)	92063-025	1
JET-MAIN NO 240A (Ref # 92063C)	92063-026	1
JET-MAIN NO 250A (Ref # 92063D)	92063-027	1
JET-PILOT NO 45 (Ref # 92064)	92064-044	1
SPRING,STRTR PLUNGER (Ref # 92081)	92081-1181	1
SPRING,THRTL STP SCRW (Ref # 92081A)	92081-1200	1
SPRING,THROTTLE VALVE (Ref # 92081B)	92081-1432	1
SPRING,PLATE (Ref # 92081C)	92081-1625	1
BOLT-FLANGED-SMALL (Ref # 132)	132G0620	1
SCREW PAN HEAD 3X8 (Ref # 220)	220B0308	1
SCREW PAN HEAD 4X6 (Ref # 220A)	220B0406	1
SCREW PAN HEAD 5X16 (Ref # 220B)	220B0516	1
WASHER SPRING 3MM (Ref # 461)	461F0300	1
WASHER SPRING 5MM (Ref # 461A)	461F0500	1