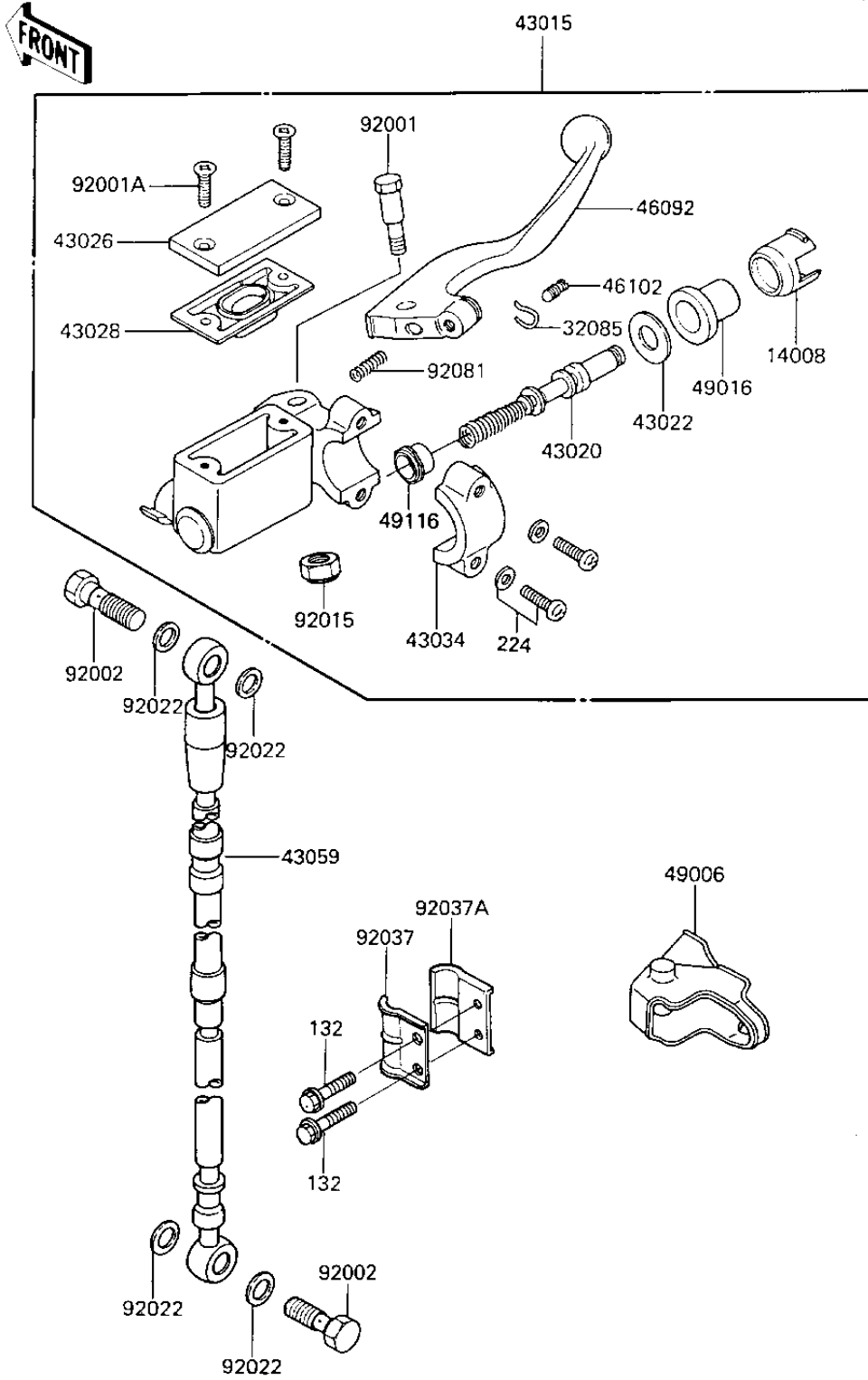


1985 KX™250 PARTS DIAGRAM

FRONT MASTER CYLINDER

F2291-0147



R
N

14
32
42
42
42
42
42
42
42
42
42
42
92
92
92
92
92
92
92
92

1985 KX™250 PARTS LIST

FRONT MASTER CYLINDER

ITEM NAME	PART NUMBER	QUANTITY
LINER (Ref # 14008)	14008-1030	1
STOPPER,BRAKE LEVER (Ref # 32085)	32085-1087	1
PISTON-COMP-BRAKE (Ref # 43015)	43020-1021	2
STOPPER-BRAKE (Ref # 43022)	43022-1008	1
CAP-BRAKE (Ref # 43026)	43026-1019	1
DIAPHRAGM (Ref # 43028)	43028-1030	1
HOLDER-BRAKE (Ref # 43034)	43034-1012	1
HOSE-BRAKE,FR (Ref # 43059)	43059-1288	1
LEVER-GRIP,BRAKE (Ref # 46092)	46092-1108	1
ROD,BRAKE LEVER ADJU (Ref # 46102)	46102-1120	1
BOOT,BRAKE LEVER (Ref # 49006)	49006-1090	1
COVER-SEAL (Ref # 49016)	49016-1035	1
VALVE-ASSY,MASTER CY (Ref # 49116)	49116-1057	1
BOLT,6X37.3,BLACK (Ref # 92001)	92001-1512	1
SCREW-COUNTERSUNK (Ref # 92001A)	92001-1532	1
BOLT,OIL,L=23 (Ref # 92002)	92002-1888	1
NUT,LOCK,6MM,BLACK (Ref # 92015)	92015-1191	1
WASHER-OIL BOLT (Ref # 92022)	43067-001	1
CLAMP,BRAKE HOSE,OUT (Ref # 92037)	92037-1362	1
CLAMP,BRAKE HOSE,INS (Ref # 92037A)	92037-1363	1
SPRING,BRAKE LEVER (Ref # 92081)	92081-1428	1
BOLT-FLANGED-SMALL (Ref # 132)	132G0616	1
SCREW-PAN-WP-CROS (Ref # 224)	224B0625	1