

1985 KX™250 PARTS DIAGRAM

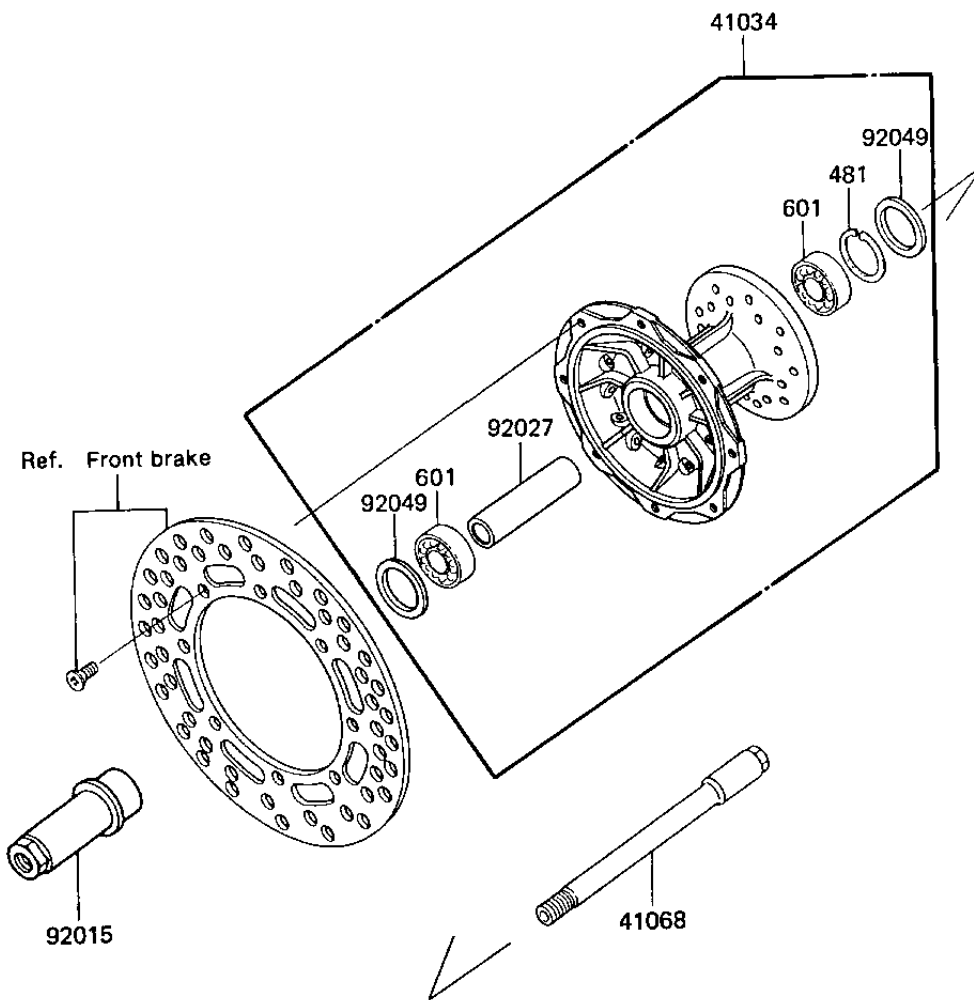
FRONT HUB

F2230-0125



Re
No

41
41
92
92
92



1985 KX™250 PARTS LIST

FRONT HUB

ITEM NAME	PART NUMBER	QUANTITY
DRUM-ASSY,FR BRAKE (Ref # 41034)	41034-1115	1
AXLE,FR (Ref # 41068)	41068-1241	1
NUT,FR AXLE (Ref # 92015)	92015-1462	1
COLLAR,FR BRAKE DRUM (Ref # 92027)	92027-1829	1
SEAL-OIL,BSNC2 22404 (Ref # 92049)	92049-1204	1
RING, SNAP,43.5M/M (Ref # 481)	92033-1040	1
BEARING BALL (Ref # 601)	601B6203U	1