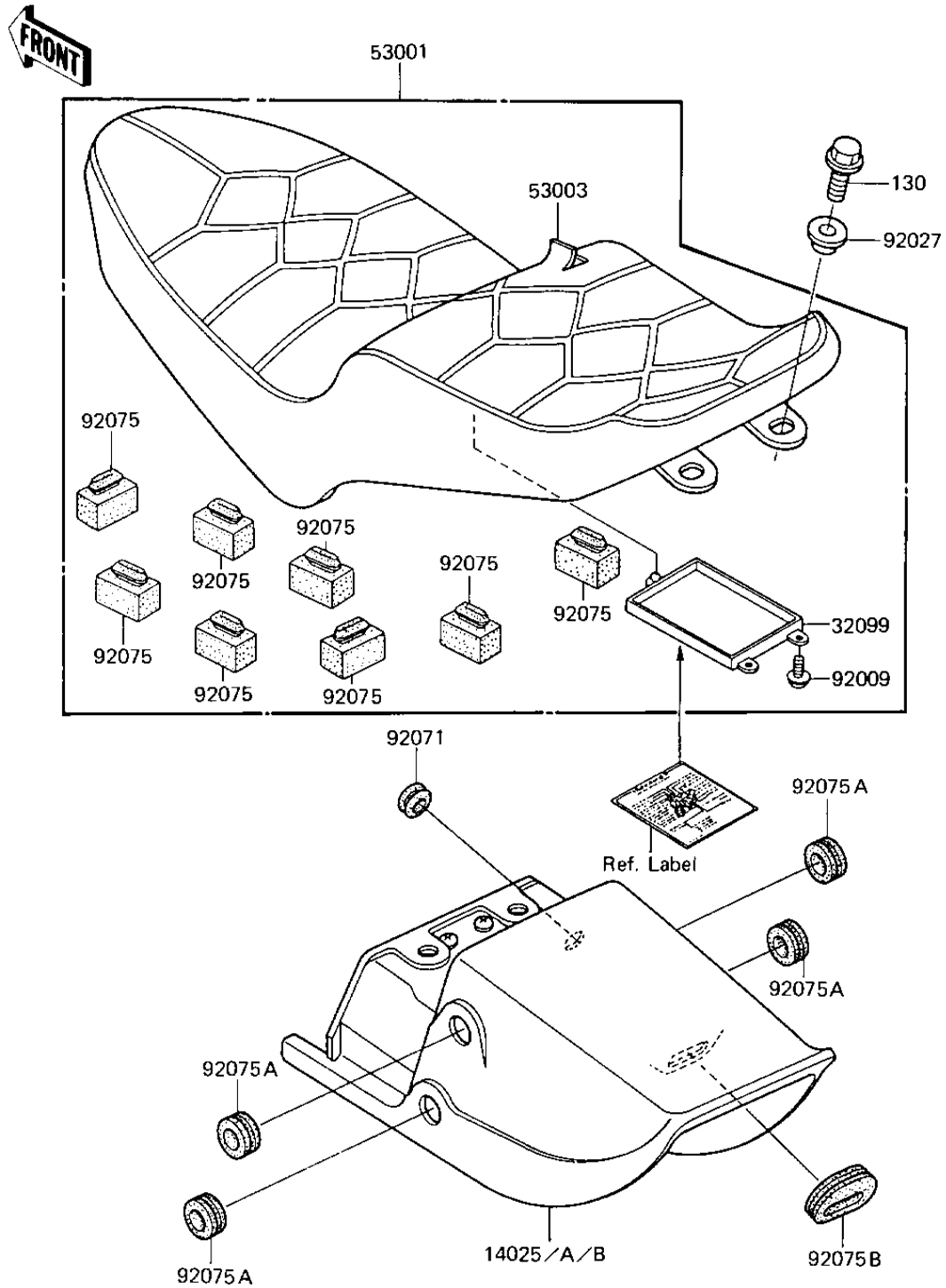


1984 1100 LTD Shaft PARTS DIAGRAM

SEAT/SEAT COVER

F2510-0253



1984 1100 LTD Shaft PARTS LIST

SEAT/SEAT COVER

ITEM NAME	PART NUMBER	QUANTITY
COVER,SEAT,EBONY (Ref # 14025)	14025-1837-H8	1
COVER,SEAT,L.C.RED (Ref # 14025A)	14025-1837-L2	1
UNAVAILABLE IN PRICE BOOK (Ref # 14025B)	14025-1837-PS	1
CASE (Ref # 32099)	32099-011	1
SEAT-ASSY,DUAL (Ref # 53001)	53001-1377	1
LEATHER,SEAT (Ref # 53003)	53003-1111	1
SCREW (Ref # 92009)	92009-1043	1
COLLAR (Ref # 92027)	92027-252	1
GROMMET (Ref # 92071)	92071-024	1
DAMPER RUBBER (Ref # 92075)	92075-099	1
DAMPER RUBBER (Ref # 92075A)	92075-104	1
DAMPER,AIR FILTER (Ref # 92075B)	92075-1513	1
BOLT-FLANGED,6X16 (Ref # 130)	130B0616	1