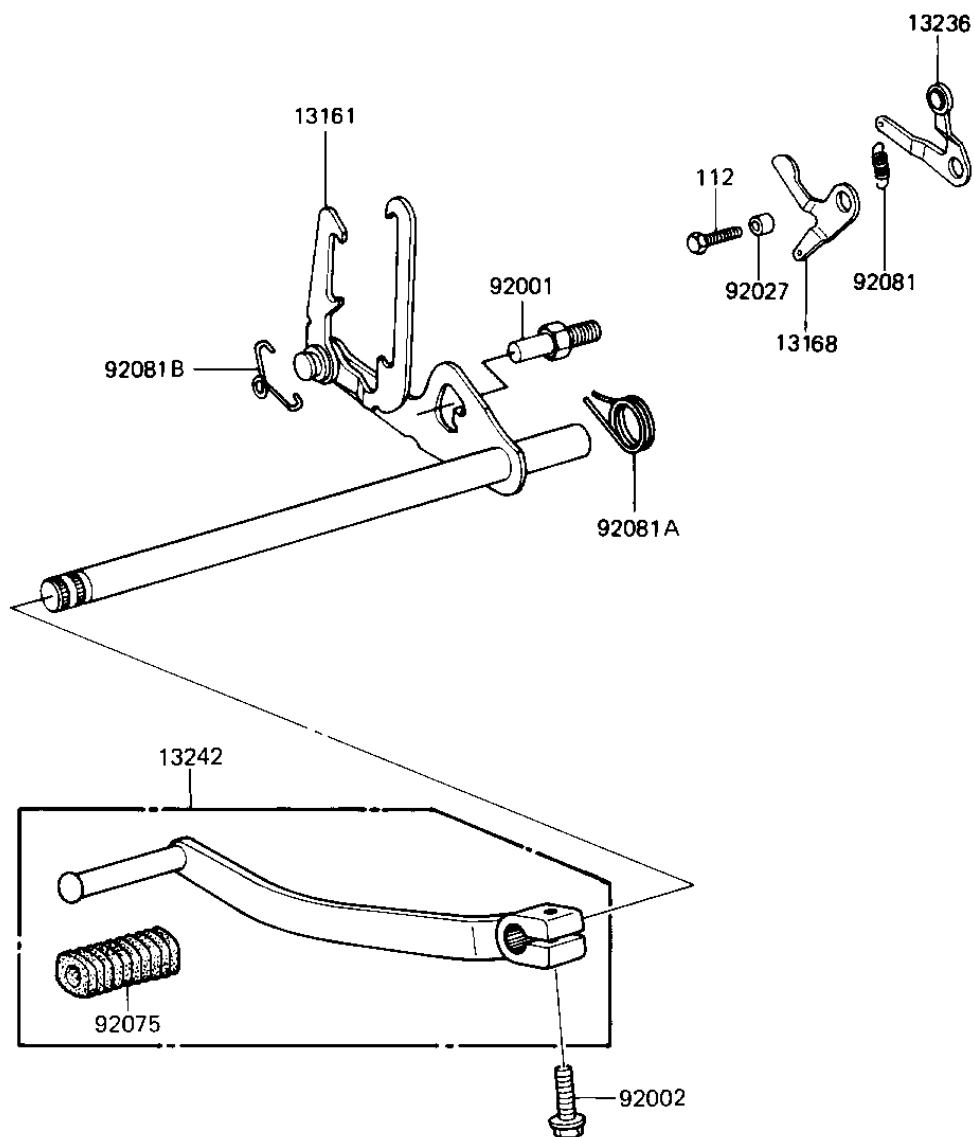


1985 1100 LTD Shaft PARTS DIAGRAM

GEAR CHANGE MECHANISM

E1370-0150



1985 1100 LTD Shaft PARTS LIST

GEAR CHANGE MECHANISM

ITEM NAME	PART NUMBER	QUANTITY
-----------	-------------	----------