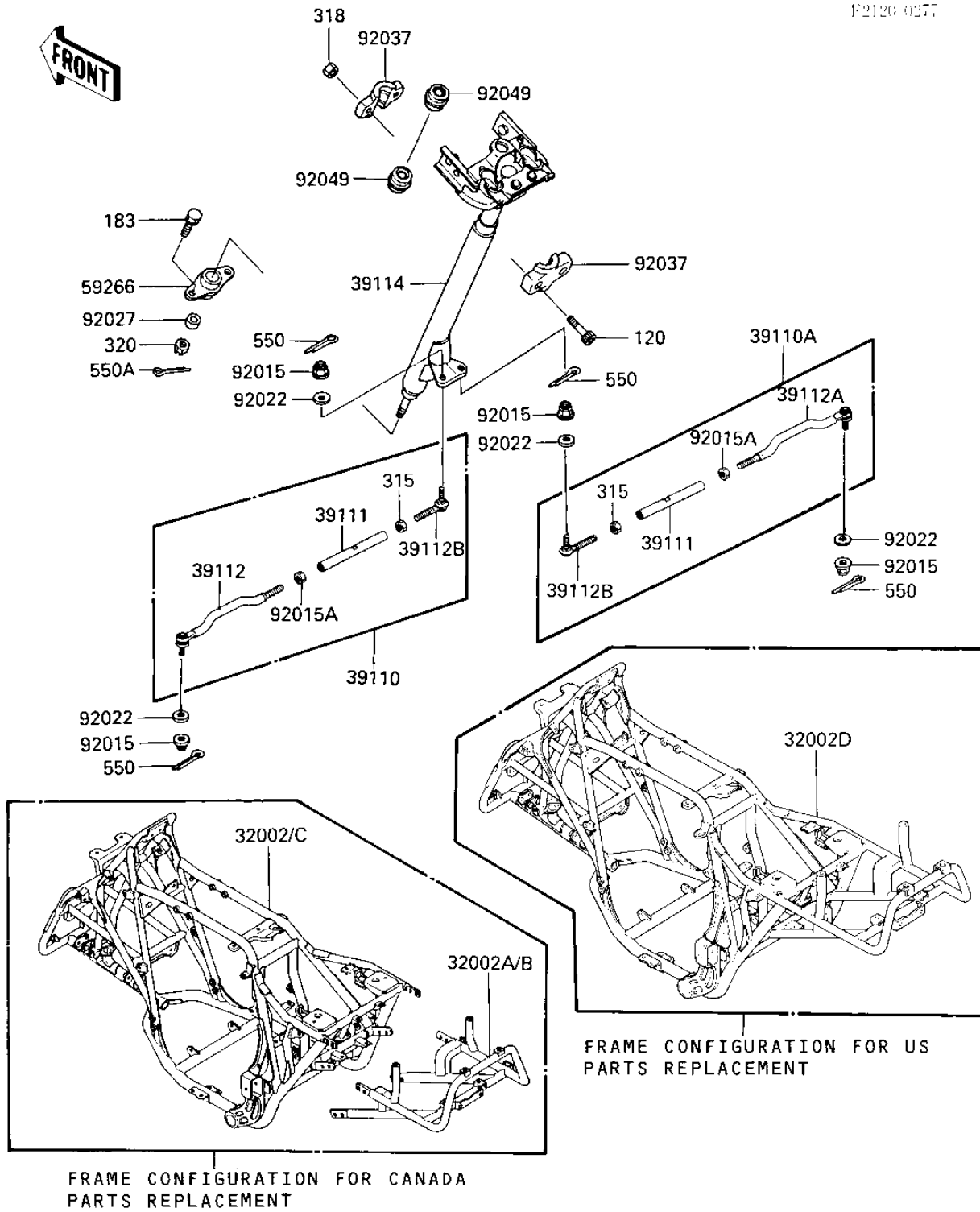


## 1986 Bayou® 300 PARTS DIAGRAM

FRAME/STEERING

P2126-0377



## 1986 Bayou® 300 PARTS LIST

FRAME/STEERING

ITEM NAME	PART NUMBER	QUANTITY
FRAME,COMP (Ref # 32002)	32002-1906	4
FRAME-COMP,RR (Ref # 32002A)	32002-1811	3
ROD-ASSY-TIE,LH (Ref # 39110)	39110-1061	1
ROD-ASSY-TIE,RH (Ref # 39110A)	39110-1062	1
ROD-TIE (Ref # 39111)	39111-1062	1
RODEND-TIE (Ref # 39112)	39112-1055	1
RODEND-TIE (Ref # 39112A)	39112-1056	1
RODEND-TIE (Ref # 39112B)	39112-1057	1
SHAFT-COMP-STRG (Ref # 39114)	39114-1052	1
JOINT-BALL (Ref # 59266)	59266-1066	1
NUT,LOCK,FLANGED,10MM (Ref # 92015)	92015-1338	1
NUT,LOCK,12MM (Ref # 92015A)	92015-1532	1
WASHER,PLAIN (Ref # 92022)	92022-239	1
COLLAR,10X21.3X7 (Ref # 92027)	92027-1817	1
CLAMP,STEERING SHAFT (Ref # 92037)	92037-1572	1
SEAL-OIL,MY25X33X8 (Ref # 92049)	92049-1199	1
BOLT,ALLEN,8X45 (Ref # 120)	120P0845	1
BOLT-UPSET-WS-SMALL (Ref # 183)	183G0822	1
NUT-HEX-FINE (Ref # 315)	315C1200	1
NUT 8MM (Ref # 318)	318B0800	1
NUT-CASTLE (Ref # 320)	320H1000	1
PIN COTTER 2.0X15 (Ref # 550)	550D2015	1
PIN,COTTER,2.5X18 (Ref # 550A)	550D2518	1